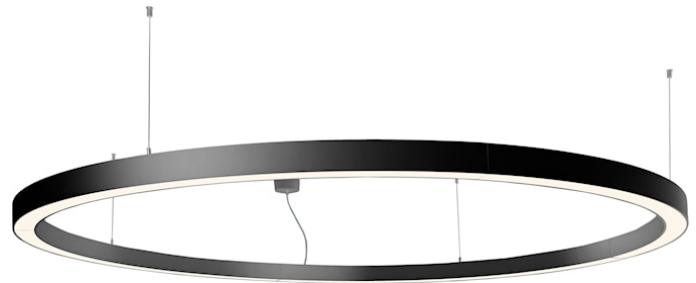
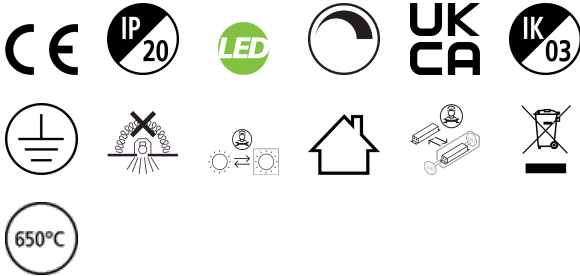


# Nilo 1200 Direct/Indirect 4000K DALI Black

Artikelnummer 2050611

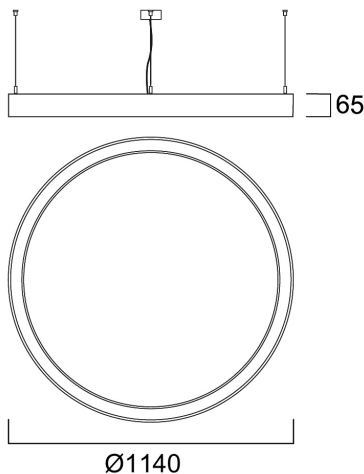
Concord



Nilo is a 360° curve-shaped luminaire with a striking, minimalistic design, perfect for retail, hospitality, and office environments. The product can be suspended at different heights to create appealing lighting effects. Stand-alone and self-contained lighting fixture. Aluminium body, opal diffuser, emits direct and indirect lighting. Textured black finishing colour. Light color temperature: 4000K, neutral white. System power: 85W Ra80 typical, LED chromacity: 3 step MacAdam ellipse (SDCM3), IR/UV free light source without heat radiation. DALI dimmable, 220-240V / 50-60Hz. 75% direct, and 25% indirect lighting. Electrical protection: Class I. Degree of protection: IP20, suitable for indoor environment only. Nominal product dimensions: diameter 1140mmx65mm.

## Technische Werte

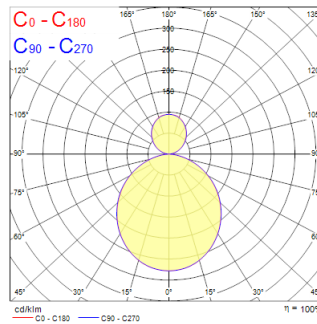
### Größe (mm)



### Photometrie

| Distance [m] | Cone diameter [m] | E175 [lx] | E190 [lx] | E210 [lx] | E270 [lx] |
|--------------|-------------------|-----------|-----------|-----------|-----------|
| 0.5          | 1.36<br>1.36      | 1061      | 52.1*     | 1107      | 1107      |
| 1.0          | 2.72<br>2.65      | 260       | 52.1*     | 277       | 282       |
| 1.5          | 4.08<br>4.04      | 112       | 52.1*     | 131       | 132       |
| 2.0          | 5.45<br>5.39      | 65        | 52.1*     | 89        | 71        |
| 2.5          | 6.81<br>6.73      | 48        | 52.1*     | 64        | 48        |
| 3.0          | 8.17<br>8.08      | 39        | 52.1*     | 51        | 31        |

Distance [m]      Cone diameter [m]      Illuminance [lx]  
 — C0 - C180 (Half beam angle: 106.8°)  
 — C90 - C270 (Half beam angle: 107.4°)



# Nilo 1200 Direct/Indirect 4000K DALI Black

Artikelnummer 2050611

Concord

## Allgemeine Daten

|                                 |                                            |
|---------------------------------|--------------------------------------------|
| Produktname                     | Nilo 1200 Direct/Indirect 4000K DALI Black |
| Technologie                     | LED                                        |
| Sockel                          | N/A                                        |
| Gehäuse                         | Aluminium                                  |
| Montage                         | Suspended                                  |
| Integrierter Präsenzmelder      | NONE                                       |
| Allgemeine Anwendungsbereiche   | Hospitality, Retail, Museums & Galleries   |
| Umgebungstemperaturbereich      | 1°C...+25°C                                |
| Virtual assistant compatibility | N/A                                        |
| ETIM Klasse                     | EC002892                                   |
| Garantie                        | 5 Jahre                                    |

## Optische Daten

|                            |               |
|----------------------------|---------------|
| Leuchtenlichtstrom (lm)    | 9570          |
| Systemeffizienz (lm/W)     | 113           |
| Farbtemperatur (K)         | 4000          |
| Lichtfarbe                 | Neutral White |
| Farbwiedergabeindex (Ra)   | 80            |
| Farbkonsistenz (SDCM)      | SDCM3         |
| Distributionstyp           | Symmetric     |
| Blendungsbegrenzung        | < 23          |
| Photobiological Risk Group | RG0           |

## Elektrische Daten

|                                                              |                             |
|--------------------------------------------------------------|-----------------------------|
| Notbeleuchtungstyp                                           |                             |
| Leistungsaufnahme gesamt (W)                                 | 85                          |
| Primary Supply/Product voltage - min (V)                     | 220.0                       |
| Primary Supply/Product voltage - max (V)                     | 240.0                       |
| Leistungsfaktor der Lampe                                    | 0.97                        |
| THD (bei 230V, 50Hz, bei 100% Dimm-Level)                    | 7.0                         |
| Elektrische Schutzklasse                                     | Class I                     |
| Betriebsgerätetyp                                            | LED driver constant current |
| Dimmbar                                                      | Yes                         |
| Dimming method                                               | DALI                        |
| Stromstärke (mA)                                             | 1024                        |
| Einschaltstrom (A)                                           | 31.2                        |
| Dauer Einschaltstrom (µs)                                    | 182                         |
| Energy Efficiency Class (A->G) of contained light source     | C                           |
| Nennfrequenz (Hz)                                            | 50/60Hz                     |
| Max. Anzahl Leuchten pro 10A C Sicherung                     | 14                          |
| Max. Anzahl Leuchten pro 13A C Sicherung                     | 18                          |
| Max. Anzahl Leuchten pro 16A C Sicherung                     | 45                          |
| Max. Anzahl Leuchten pro 16A B Sicherung                     | 27                          |
| Connectable conductor cross section - Max (mm <sup>2</sup> ) | 2.5                         |

## Lifetime data

Lebensdauer - L80B20 | 50000

# Nilo 1200 Direct/Indirect 4000K DALI Black

Artikelnummer 2050611

**Concord**

## Physikalische Daten

|                                   |              |
|-----------------------------------|--------------|
| Gehäusefarbe                      | Black        |
| IP Schutzart                      | IP20         |
| IK Schutzart                      | IK03         |
| Diffusor                          | Opal         |
| Diffusormaterial                  | PMMA Acrylic |
| Nominale Produkthöhe (mm)         | 65           |
| Nominaler Produktdurchmesser (mm) | 1140         |
| Gewicht (kg)                      | 8.2          |

## Packaging

|                                        |                |
|----------------------------------------|----------------|
| EAN Code                               | 5025768506118  |
| Einzelverpackung Länge (cm)            | 126.0          |
| Einzelverpackung Breite (cm)           | 126.0          |
| Einzelverpackung Tiefe (cm)            | 14.9           |
| DUN 14 (außen)                         | 05025768506118 |
| Anzahl an Einheiten je Außenverpackung | 1              |
| Außenverpackung Länge (cm)             | 126.0          |
| Außenverpackung Breite (cm)            | 126.0          |
| Außenverpackung Tiefe (cm)             | 14.9           |

## Safety data

|                                  |      |
|----------------------------------|------|
| Glühdrahttest (°C)               | 650  |
| Optimale Betriebstemperatur (°C) | 1-25 |