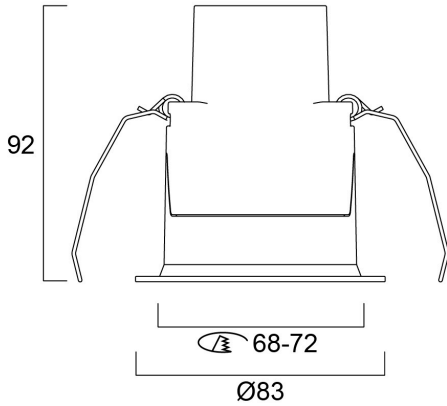
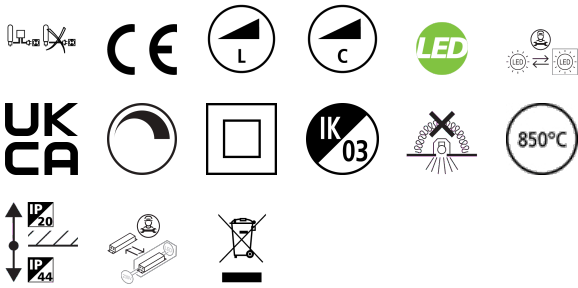


Concord



0.5	0.48	50%	36.3"	804
		50%	36.3"	206
1.0	0.99	50%	36.3"	403
		50%	36.3"	84
1.5	1.48	50%	36.3"	646
		50%	36.3"	233
2.0	1.96	50%	36.3"	363
		50%	36.3"	131
2.5	2.47	50%	36.3"	233
		50%	36.3"	84
3.0	2.97	50%	36.3"	161
		50%	36.3"	55

Distance [m] Cone diameter [m] Illuminance [lx]
 — C0 - C180 (Half beam angle: 52.6°)

