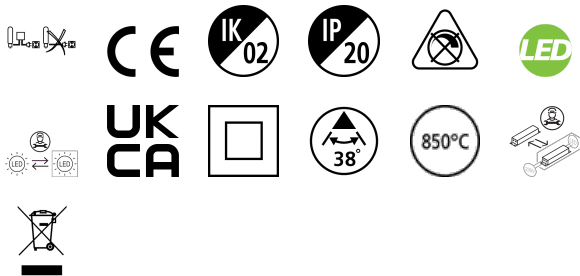


START Track Spot L HO 4000lm 840 MB WHT

Item No: 0004830

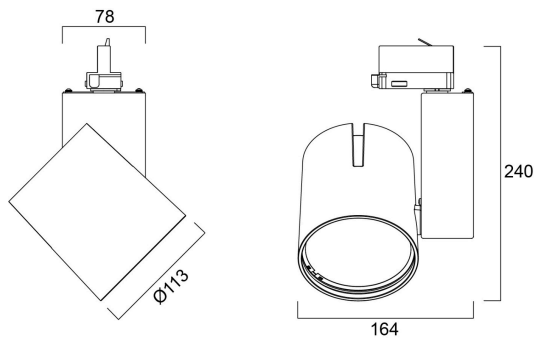
SYLVANIA



Integrated LED spotlight, Textured White - RAL9016, compact and minimalist design, ideal for retail applications, die-cast aluminium body, passive cooling heatsink. Beam angle: 38°, color temperature: 4000K, total system power: 35W, total fixture output: 4017 lm, LOR: 100%, colour rendering: Ra: 80 typical, LED Chromaticity: 3 step MacAdam ellipse, IR/UV free light source without heat radiation, operating voltage: 220-240V / 50-60Hz, drive current: 900mA, electronic driver, non-dimmable, power factor: 0.93, electrical protection: Class II, Global Track 3 Phase adapter suitable for Global trac 3-circuit tracks, ingress protection rating: IP20, suitable for internal environment only, horizontal rotation: 355°, vertical tilt: 90°, dimensions: Ø113x164x240, weight: 1.368kg.

Technical Assets

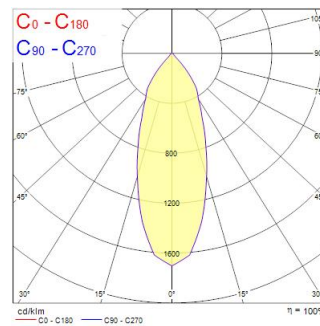
Dimensions (mm)



Photometrics

Distance [m]	Cone diameter [m]	Beam diameter [m]	Illuminance [lx]
0.5	0.34	Ø171	2748
		Ø109	1462
1.0	0.68	Ø171	687
		Ø109	281
1.5	1.03	Ø171	303
		Ø109	123
2.0	1.37	Ø171	179
		Ø109	72
2.5	1.71	Ø171	104
		Ø109	44
3.0	2.05	Ø171	70
		Ø109	31

Distance [m] Cone diameter [m] Illuminance [lx]
 — C0 - C180 (Half beam angle: 37.8°)



START Track Spot L HO 4000lm 840 MB WHT

Item No: 0004830

SYLVANIA

General data

Product name	START Track Spot L HO 4000lm 840 MB WHT
Technology	LED
Housing	Aluminium
Mount	Track mounting
Fixture rating	Enclosed
General application	Retail
Operating temperature range (°C)	1°C...+25°C
Performance ambient temperature Tq (°C)	25
ETIM Class	EC001744
Warranty	5 years

Optical data

Fixture luminous flux (lm)	4017
Luminaire efficacy (lm/W)	115
LOR (%)	100
Correlated colour temperature (k)	4000
Light colour	Neutral White
CRI (Ra)	80
Colour Variation Initial (SDCM)	SDCM3
Beam Angle (°)	38
Photobiological Risk Group	RG1

Electrical data

Total power consumption (W)	35
Supply current (A)	0.15
Primary Supply/Product voltage - min (V)	220
Primary Supply/Product voltage - max (V)	240
Lamp power factor	0.93
THD (at 230 V, 50 Hz, full load, at 100% dimming level) ≤ xx.x %	15.1
Electrical protection	Class II
Control gear required	Yes
Control gear type	Electronic ballast
Control gear mounting	Integral
Dimmable	No
Dimming method	N/A
Drive current (mA)	900
Inrush Current (A)	10
Inrush Duration (µs)	100
Energy Efficiency Class (A->G) of contained light source	D
Nominal Frequency (Hz)	50/60Hz
LED Flickering Rate	Ultra low (5% or less)
Max. products per 10A C Breaker	35
Max. products per 13A C Breaker	50
Max. products per 16A C Breaker	65
Max. products per 20A C Breaker	75
Max. products per 10A B Breaker	28
Max. products per 13A B Breaker	40
Max. products per 16A B Breaker	52
Max. products per 20A B Breaker	60

START Track Spot L HO 4000lm 840 MB WHT

Item No: 0004830

SYLVANIA

Lifetime data

Lifespan L70 B50	100000
Lifespan L70 B20	100000
Lifespan L70 B10	100000
Lifespan L80 B50	100000
Lifespan L80 B20	100000
Lifespan L80 B10	79500
Lifespan L90 B50	69500
Lifespan L90 B20	54500
Lifespan L90 B10	47500

Physical data

Housing colour	RAL 9016 - Traffic white / Bezel
IP rating	IP20
IK rating	IK02
Diffuser finish	Transparent
Diffuser material	PC Polycarbonate
Reflector finish	High-gloss
Nominal Product Width (mm)	164
Nominal Product Height (mm)	240
Nominal Product Diameter (mm)	113
Weight (kg)	1.368

Packaging

Product EAN number	5410288048307
Packaging single length / height (cm)	25.0
Packaging single width (cm)	19.5
Packaging single depth (cm)	20.0
DUN14 (inner)	05410288048307
Units per outer package	1
Packaging outer length / height (cm)	25.0
Packaging outer width (cm)	19.5
Packaging outer depth (cm)	20.0

Safety data

Glow Wire Test (°C)	850
Optimal operating condition (°C)	1-25
Dry applications use only	Yes