

# START Track Spot L 4800lm 940 WB BLK

Item No: 0004906

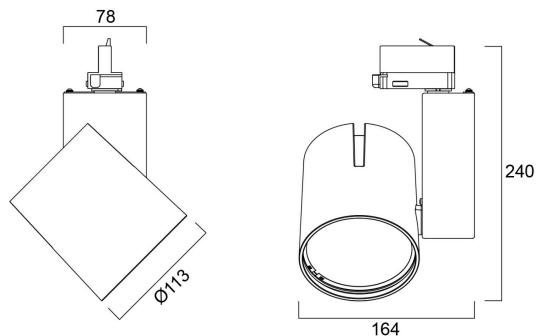
**SYLVANIA**



Integrated LED spotlight, Textured Black - RAL9005, compact and minimalist design, ideal for retail applications, die-cast aluminium body, passive cooling heatsink. Beam angle: 52°, color temperature: 4000K, total system power: 55W, total fixture output: 4824 lm, LOR: 100%, colour rendering: Ra: 90 typical, LED Chromaticity: 3 step MacAdam ellipse, IR/UV free light source without heat radiation, operating voltage: 220-240V / 50-60Hz, drive current: 1400mA, electronic driver, non-dimmable, power factor: 0.96, electrical protection: Class II, Global Track 3 Phase adapter suitable for Global trac 3-circuit tracks, ingress protection rating: IP20, suitable for internal environment only, horizontal rotation: 355°, vertical tilt: 90°, dimensions: Ø113x164x240, weight: 1.398kg.

## Technical Assets

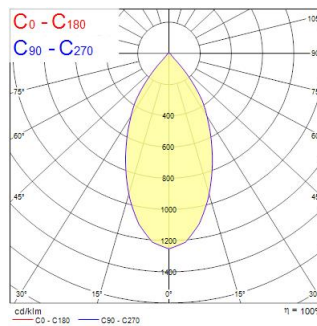
### Dimensions (mm)



### Photometrics

| Distance [m] | Cone diameter [m] | Beam diameter [m] | Illuminance [lx] |
|--------------|-------------------|-------------------|------------------|
| 0.5          | 0.45              | 0.27              | 2187             |
| 1.0          | 0.96              | 0.57              | 854              |
| 1.5          | 1.44              | 0.87              | 386              |
| 2.0          | 1.93              | 1.17              | 214              |
| 2.5          | 2.41              | 1.47              | 130              |
| 3.0          | 2.89              | 1.77              | 85               |

Distance [m] Cone diameter [m] Illuminance [lx]  
 — C0 - C180 (Half beam angle: 51.4°)



# START Track Spot L 4800lm 940 WB BLK

Item No: 0004906

**SYLVANIA**

## General data

|   |                                      |
|---|--------------------------------------|
| Product name                            | START Track Spot L 4800lm 940 WB BLK |
| Technology                              | LED                                  |
| Cap/Base                                | N/A                                  |
| Housing                                 | Aluminium                            |
| Mount                                   | Track mounting                       |
| Fixture rating                          | Enclosed                             |
| General application                     | Retail                               |
| Operating temperature range (°C)        | 1°C...+25°C                          |
| Performance ambient temperature Tq (°C) | 25                                   |
| ETIM Class                              | EC001744                             |
| E-number FI                             | 4274443                              |
| E-number SE                             | 7401847                              |
| Warranty                                | 5 years                              |

## Optical data

|                                   |               |
|-----------------------------------|---------------|
| Fixture luminous flux (lm)        | 4824          |
| Luminaire efficacy (lm/W)         | 88            |
| LOR (%)                           | 100           |
| Correlated colour temperature (k) | 4000          |
| Light colour                      | Neutral White |
| CRI (Ra)                          | 90            |
| Colour Variation Initial (SDCM)   | SDCM3         |
| Beam Angle (°)                    | 52            |
| Photobiological Risk Group        | RG1           |

## Electrical data

|  |                        |
|--|------------------------|
| Total power consumption (W)                                      | 55                     |
| Supply current (A)   | 0.23                   |
| Primary Supply/Product voltage - min (V)                         | 230                    |
| Primary Supply/Product voltage - max (V)                         | 240                    |
| Lamp power factor  | 0.96                   |
| THD (at 230 V, 50 Hz, full load, at 100% dimming level) ≤ xx.x % | 15.1                   |
| Electrical protection  | Class II               |
| Control gear required  | Yes                    |
| Control gear type  | Electronic ballast     |
| Control gear mounting  | Integral               |
| Dimmable   | No                     |
| Dimming method   | N/A                    |
| Drive current (mA)   | 1400                   |
| Inrush Current (A)   | 12                     |
| Inrush Duration (µs)   | 50                     |
| Energy Efficiency Class (A->G) of contained light source         | E                      |
| Nominal Frequency (Hz)   | 50/60Hz                |
| LED Flickering Rate  | Ultra low (5% or less) |
| Max. products per 10A C Breaker                                  | 25                     |
| Max. products per 13A C Breaker                                  | 35                     |
| Max. products per 16A C Breaker                                  | 45                     |
| Max. products per 20A C Breaker                                  | 55                     |
| Max. products per 10A B Breaker                                  | 20                     |
| Max. products per 13A B Breaker                                  | 35                     |
| Max. products per 16A B Breaker                                  | 45                     |
| Max. products per 20A B Breaker                                  | 55                     |

# START Track Spot L 4800lm 940 WB BLK

Item No: 0004906

**SYLVANIA**

## Lifetime data

|                  |        |
|------------------|--------|
| Lifespan L70 B50 | 100000 |
| Lifespan L70 B20 | 100000 |
| Lifespan L70 B10 | 100000 |
| Lifespan L80 B50 | 100000 |
| Lifespan L80 B20 | 100000 |
| Lifespan L80 B10 | 79500  |
| Lifespan L90 B50 | 69500  |
| Lifespan L90 B20 | 54500  |
| Lifespan L90 B10 | 47500  |

## Physical data

|                               |                      |
|-------------------------------|----------------------|
| Housing colour                | RAL 9005 - Jet black |
| IP rating                     | IP20                 |
| IK rating                     | IK02                 |
| Diffuser finish               | Transparent          |
| Diffuser material             | PC Polycarbonate     |
| Reflector finish              | High-gloss           |
| Nominal Product Width (mm)    | 164                  |
| Nominal Product Height (mm)   | 240                  |
| Nominal Product Diameter (mm) | 113                  |
| Weight (kg)                   | 1.398                |

## Packaging

|                                       |                |
|---------------------------------------|----------------|
| Product EAN number                    | 5410288049069  |
| Packaging single length / height (cm) | 25.0           |
| Packaging single width (cm)           | 19.5           |
| Packaging single depth (cm)           | 20.0           |
| DUN14 (inner)                         | 05410288049069 |
| Units per outer package               | 1              |
| Packaging outer length / height (cm)  | 25.0           |
| Packaging outer width (cm)            | 19.5           |
| Packaging outer depth (cm)            | 20.0           |

## Safety data

|                                  |      |
|----------------------------------|------|
| Glow Wire Test (°C)              | 850  |
| Optimal operating condition (°C) | 1-25 |
| Dry applications use only        | Yes  |