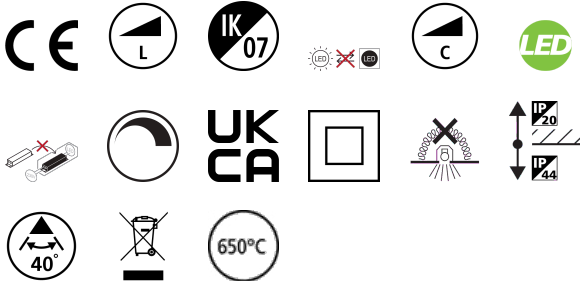


START SPOT ALUMINIUM 740LM 830 IP44 WHT

Item No: 0005170

SYLVANIA

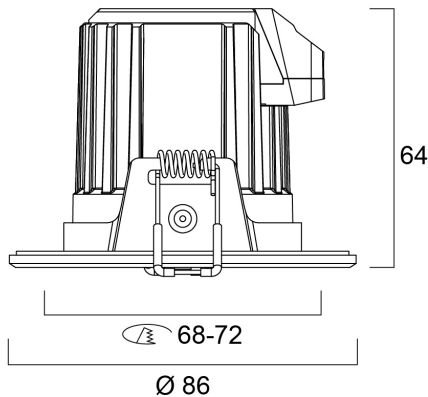
STARTTM



Integrated LED recessed spotlight, vertical tilt 30°, white bezel colour, white replaceable reflector, 740lm (white reflector), 660lm (black reflector), 9.0W, dimmable trailing/leading edge, 3000K, 40° degree beam angle, polycarbonate and aluminium body, low profile 62mm recessed depth, IP44 from the front, IK07, loop-in/loop-out terminals for fast wiring, weight 0,165Kg, 85mm bezel diameter, 68-72mm cutout, clear lens. Additional black reflector included in the packaging.

Technical Assets

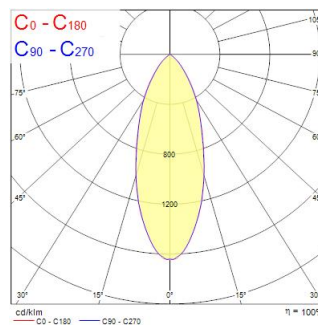
Dimensions (mm)



Photometrics

Distance [m]	Cone diameter [m]	Beam diameter [m]	Beam diameter [in]	Illuminance [lx]
0.5	0.35 0.36	19.4"	19.4"	443
1.0	0.70 0.71	19.4"	19.4"	110
1.5	1.06 1.07	19.4"	19.4"	48
2.0	1.41 1.42	19.4"	19.4"	27
2.5	1.76 1.78	19.4"	19.4"	17
3.0	2.11 2.14	19.4"	19.4"	11

Distance [m] Cone diameter [m] Illuminance [lx]
 — C0 - C180 (Half beam angle: 29.2°)
 — C90 - C270 (Half beam angle: 38.9°)



START SPOT ALUMINIUM 740LM 830 IP44 WHT

Item No: 0005170

SYLVANIA

General data

Product name	START SPOT ALUMINIUM 740LM 830 IP44 WHT
Technology	LED
Cap/Base	N/A
Housing	Aluminium
Mount	Ceiling recessed mounting
Built in presence detector	NONE
General application	Residential & Consumer
Operating temperature range (°C)	-10°C...+35°C
Performance ambient temperature Tq (°C)	25
Virtual assistant compatibility	N/A
ETIM Class	EC001744
Warranty	3 years

Optical data

Fixture luminous flux (lm)	740
Luminaire efficacy (lm/W)	82
Correlated colour temperature (k)	3000
Colour Code	830
Light colour	Warm White
CRI (Ra)	80
Colour Variation Initial (SDCM)	SDCM5
Beam Angle (°)	40
Distribution type	Symmetric
Photobiological Risk Group	RG1

Electrical data

Total power consumption (W)	9
Primary Supply/Product voltage - min (V)	220
Primary Supply/Product voltage - max (V)	240
Lamp power factor	0.9
THD (at 230 V, 50 Hz, full load, at 100% dimming level) ≤ xx.x %	40
Electrical protection	Class II
Control gear type	LED driver constant current
Dimmable	Yes
Dimming method	Mains: leading / trailing edge
Minimum dimming level (%)	10
Drive current (mA)	165
Inrush Current (A)	10
Inrush Duration (µs)	150
Energy Efficiency Class (A->G) of contained light source	F
Nominal Frequency (Hz)	50/60Hz
LED Flickering Rate	Low (6% - 20%)
Max. products per 10A C Breaker	50
Max. products per 13A C Breaker	65
Max. products per 16A C Breaker	80
Max. products per 20A C Breaker	100
Max. products per 16A B Breaker	30

Lifetime data

Lifespan L70 B50 | 47000

START SPOT ALUMINIUM 740LM 830 IP44 WHT

Item No: 0005170

SYLVANIA

Physical data

Housing colour	RAL 9016 - Traffic white / Bezel
IP rating	IP44/20
IK rating	IK07
Diffuser finish	Other
Diffuser material	None
Reflector finish	Matt
Nominal Product Height (mm)	64
Nominal Product Diameter (mm)	86
Weight (kg)	0.14
Recessed Depth (mm)	100

Packaging

Product EAN number	5410288051703
Packaging single length / height (cm)	10.0
Packaging single width (cm)	10.0
Packaging single depth (cm)	8.5
DUN14 (inner)	15410288051700
Units per inner package	6
Packaging inner length / height (cm)	28.5
Packaging inner width (cm)	9.0
Packaging inner depth (cm)	19.0
DUN14 (outer)	25410288051707
Units per outer package	36
Packaging outer length / height (cm)	43.6
Packaging outer width (cm)	35.6
Packaging outer depth (cm)	29.3

Safety data

Glow Wire Test (°C)	650
Optimal operating condition (°C)	-10-35