

# START SPOT ALUMINIUM 720LM 827 IP44 BLK

Item No: 0005180

**SYLVANIA**

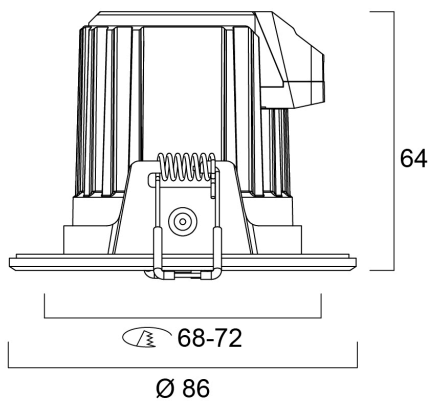
**START**<sup>TM</sup>



Integrated LED recessed spotlight, vertical tilt 30°, black bezel finish with black reflector, white replaceable reflector included in the packaging, 720lm (black reflector), 9W, dimmable trailing/leading edge, 3000K, 40° degree beam angle, polycarbonate and aluminium body, low profile 62mm recessed depth, IP44 from the front, IK07, loop-in/loop-out terminals for fast wiring, weight 0,165Kg, 85mm bezel diameter, 68-72mm cutout, clear lens.

## Technical Assets

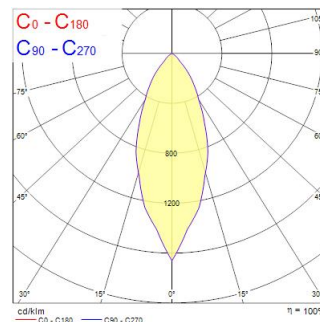
### Dimensions (mm)



### Photometrics

Distance [m]	Cone diameter [m]	Beam diameter [m]	Beam diameter [in]	Illuminance [lx]
0.5	0.37	1.50"	6.00"	476
		1.50"	6.00"	186
1.0	0.74	3.00"	12.00"	119
		3.00"	12.00"	75
1.5	1.10	4.50"	18.00"	52
		4.50"	18.00"	33
2.0	1.47	6.00"	24.00"	29
		6.00"	24.00"	18
2.5	1.84	7.50"	30.00"	19
		7.50"	30.00"	12
3.0	2.21	9.00"	36.00"	13
		9.00"	36.00"	8

Distance [m] Cone diameter [m] Illuminance [lx]  
 C0 - C180 (Half beam angle: 40.4°)



# START SPOT ALUMINIUM 720LM 827 IP44 BLK

Item No: 0005180

**SYLVANIA**

## General data

Product name	START SPOT ALUMINIUM 720LM 827 IP44 BLK
Technology	LED
Cap/Base	N/A
Housing	Aluminium
Mount	Ceiling recessed mounting
Built in presence detector	NONE
General application	Hospitality
Operating temperature range (°C)	-10°C...+35°C
Performance ambient temperature Tq (°C)	25
Virtual assistant compatibility	N/A
ETIM Class	EC001744
E-number FI	4278420
Warranty	3 years

## Optical data

Fixture luminous flux (lm)	720
Luminaire efficacy (lm/W)	80
Correlated colour temperature (k)	2700
Light colour	Candlelight
CRI (Ra)	80
Colour Variation Initial (SDCM)	SDCM6
Luminous Intensity (cd)	1400
Beam Angle (°)	40
Distribution type	Symmetric
Glare control	< 25
Photobiological Risk Group	RG1

## Electrical data

Total power consumption (W)	9
Primary Supply/Product voltage - min (V)	220
Primary Supply/Product voltage - max (V)	240
Lamp power factor	0.9
THD (at 230 V, 50 Hz, full load, at 100% dimming level) ≤ xx.x %	40
Electrical protection	Class II
Control gear required	No
Control gear type	LED driver constant current
Dimmable	Yes
Dimming method	Mains: leading / trailing edge
Minimum dimming level (%)	10
Min. drive current (mA)	100
Max. drive current (mA)	200
Drive current - Range (mA)	100mA / 200mA
Inrush Current (A)	10
Inrush Duration (µs)	150
Energy Efficiency Class (A->G) of contained light source	E
Nominal Frequency (Hz)	50/60Hz
LED Flickering Rate	Low (6% - 20%)
Max. products per 10A C Breaker	50
Max. products per 13A C Breaker	65
Max. products per 16A C Breaker	80
Max. products per 20A C Breaker	100
Max. products per 16A B Breaker	30

## Lifetime data

Lifespan L70 B50 | 47000

# START SPOT ALUMINIUM 720LM 827 IP44 BLK

Item No: 0005180

**SYLVANIA**

## Physical data

Housing colour	RAL 9005 - Jet black
IP rating	IP44/20
IK rating	IK07
Diffuser finish	Other
Diffuser material	None
Reflector finish	Matt
Nominal Product Height (mm)	64
Nominal Product Diameter (mm)	86
Weight (kg)	0.14
Recessed Depth (mm)	100

## Packaging

Product EAN number	5410288051802
Packaging single length / height (cm)	10.0
Packaging single width (cm)	10.0
Packaging single depth (cm)	8.5
DUN14 (inner)	15410288051809
Units per inner package	6
Packaging inner length / height (cm)	28.5
Packaging inner width (cm)	9.0
Packaging inner depth (cm)	19.0
DUN14 (outer)	25410288051806
Units per outer package	36
Packaging outer length / height (cm)	43.6
Packaging outer width (cm)	35.6
Packaging outer depth (cm)	29.3

## Safety data

Glow Wire Test (°C)	650
Optimal operating condition (°C)	-10-35