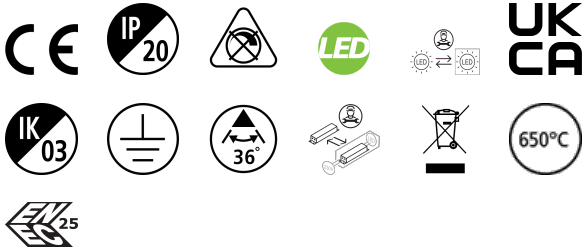


Pixo Small 1600lm 940 NB MB WB BLK

Item No: 0005447

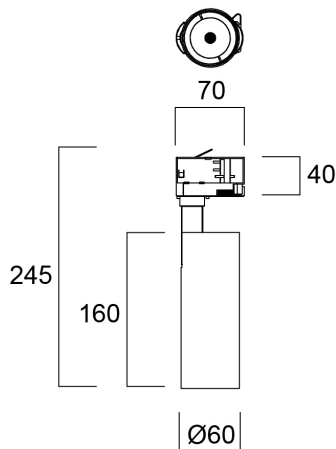
SYLVANIA



Integrated LED spotlight, Textured Black - RAL9005, simple and slick integral design with no driver box and without any visible screws, ideal for retail applications, die-cast aluminium body, passive cooling heatsink. Beam angle: 36°, additional lenses 24° and 54° beam angle included, color temperature: 4000k, total system power: 15W, total fixture output: 1615 lm, LOR: 100%, colour rendering: Ra: 90 typical, IR/UV free light source without heat radiation, operating voltage: 220-240V / 50-60Hz, electronic driver, non-dimmable, ultra low LED flickering rate (5% or less), power factor: >0.90, electrical protection: Class I, Powergear 3-circuit adapter suitable for 3-circuit tracks, ingress protection rating: IP20, suitable for internal environment only, horizontal rotation: 345°, vertical tilt: 90°, dimensions: Ø60x70x245, weight: 0.517kg. Compatible with OneTrack.

Technical Assets

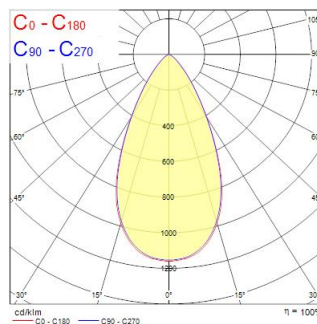
Dimensions (mm)



Photometrics

| Distance [m] | Cone diameter [m] | Beam diameter [m] | Illuminance [lx] |
|--------------|-------------------|-------------------|----------------------|
| 0.5 | 0.36 0.36 | 0.17 0.17 | 1555 4891 4891 |
| 1.0 | 0.71 0.72 | 0.34 0.34 | 2891 1213 1213 |
| 1.5 | 1.07 1.07 | 0.51 0.51 | 1235 839 839 |
| 2.0 | 1.42 1.43 | 0.68 0.68 | 723 603 603 |
| 2.5 | 1.78 1.79 | 0.85 0.85 | 483 483 483 |
| 3.0 | 2.14 2.15 | 1.02 1.02 | 321 321 321 |

Distance [m] Cone diameter [m] Illuminance [lx]
 — C0 - C180 (Half beam angle: 28.4°)
 — C90 - C270 (Half beam angle: 39.2°)



Pixo Small 1600lm 940 NB MB WB BLK

Item No: 0005447

SYLVANIA

General data

| | |
|---|---|
| Product name | Pixo Small 1600lm 940 NB MB WB BLK |
| Technology | LED |
| Cap/Base | N/A |
| Mount | Track mounting |
| Environment | Indoor |
| General application | Museums & Galleries, Residential & Consumer, Retail |
| Operating temperature range (°C) | -20°C...+40°C |
| Performance ambient temperature Tq (°C) | 25 |
| ETIM Class | EC001744 |
| E-number FI | 4278247 |
| Warranty | 5 years |

Optical data

| | |
|-----------------------------------|---------------|
| Fixture luminous flux (lm) | 1615 |
| Luminaire efficacy (lm/W) | 108 |
| Correlated colour temperature (k) | 4000 |
| Light colour | Neutral White |
| CRI (Ra) | 90 |
| Colour Variation Initial (SDCM) | SDCM5 |
| Beam Angle (°) | 36 |
| Photobiological Risk Group | RG1 |

Electrical data

| | |
|--|---------|
| Total power consumption (W) | 15 |
| Primary Supply/Product voltage - min (V) | 220.0 |
| Primary Supply/Product voltage - max (V) | 240.0 |
| Lamp power factor | 0.9 |
| THD (at 230 V, 50 Hz, full load, at 100% dimming level) ≤ xx.x % | 10 |
| Electrical protection | Class I |
| No. Of switching cycles before premature failures | >100000 |
| Dimmable | No |
| Dimming method | N/A |
| Drive current (mA) | 400 |
| Inrush Current (A) | 12 |
| Inrush Duration (µs) | 33 |
| Nominal Frequency (Hz) | 50/60Hz |
| Max. products per 10A C Breaker | 68 |
| Max. products per 13A C Breaker | 88 |
| Max. products per 16A C Breaker | 108 |
| Max. products per 20A C Breaker | 135 |
| Max. products per 10A B Breaker | 68 |
| Max. products per 13A B Breaker | 88 |
| Max. products per 16A B Breaker | 108 |
| Max. products per 20A B Breaker | 135 |

Lifetime data

| | |
|------------------|--------|
| Lifespan L70 B50 | 100000 |
| Lifespan L80 B20 | 100000 |
| Lifespan L90 B50 | 56000 |
| Lifespan L90 B10 | 41000 |

Pixo Small 1600lm 940 NB MB WB BLK

Item No: 0005447

SYLVANIA

Physical data

| | |
|-----------------------------|-------|
| Housing colour | Black |
| IP rating | IP20 |
| IK rating | IK03 |
| Nominal Product Length (mm) | 70 |
| Nominal Product Width (mm) | 60 |
| Nominal Product Height (mm) | 245 |
| Weight (kg) | 0.517 |

Packaging

| | |
|---------------------------------------|----------------|
| Product EAN number | 5410288054476 |
| Packaging single length / height (cm) | 8.5 |
| Packaging single width (cm) | 8.5 |
| Packaging single depth (cm) | 26.0 |
| DUN14 (inner) | 15410288054473 |
| Units per outer package | 12 |
| Packaging outer length / height (cm) | 35.5 |
| Packaging outer width (cm) | 27.0 |
| Packaging outer depth (cm) | 28.0 |

Safety data

| | |
|----------------------------------|--------|
| Glow Wire Test (°C) | 650 |
| Optimal operating condition (°C) | -20-40 |