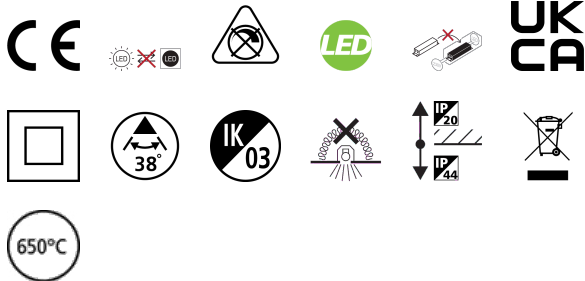


START SPOT 520LM 840 IP44 WHT

Item No: 0005489

SYLVANIA

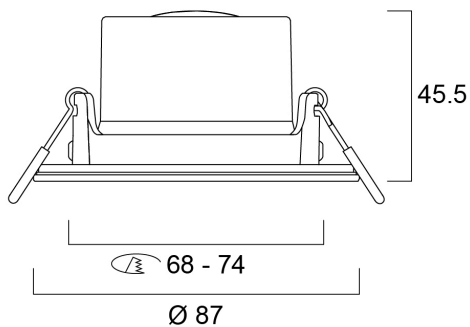
STARTTM



Integrated LED recessed spotlight, vertical tilt 30°, non-dimmable, 3000K, 38° degree beam angle, polycarbonate white body, IP44 from the front, IK03, loop-in/loop-out terminals for fast wiring, 87mm bezel diameter, 68-74mm cutout, clear lens. Additional silver or black bezel can be ordered as accessory.

Technical Assets

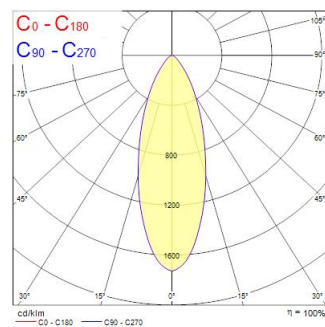
Dimensions (mm)



Photometrics

Distance [m]	Cone diameter [m]	E(0°) [lx]	E(C0°) [lx]
0.5	0.32	354	185
1.0	0.65	86	43
1.5	0.97	36	17
2.0	1.30	22	11
2.5	1.62	14	7
3.0	1.95	10	5

Distance [m] Cone diameter [m] Illuminance [lx]
 C0 - C180 (Half beam angle: 36.0°)



START SPOT 520LM 840 IP44 WHT

Item No: 0005489

SYLVANIA

General data

Product name	START SPOT 520LM 840 IP44 WHT
Technology	LED
Cap/Base	N/A
Housing	PC Polycarbonate
Mount	Ceiling recessed mounting
Built in presence detector	NONE
Environment	Indoor
General application	Residential & Consumer
Operating temperature range (°C)	-10°C...+40°C
Performance ambient temperature Tq (°C)	25
Virtual assistant compatibility	N/A
ETIM Class	EC001744
Warranty	3 years

Optical data

Fixture luminous flux (lm)	520
Luminaire efficacy (lm/W)	108
Correlated colour temperature (k)	4000
Light colour	Neutral White
CRI (Ra)	80
Colour Variation Initial (SDCM)	SDCM6
Beam Angle (°)	38
Distribution type	Symmetric
Photobiological Risk Group	RG1

Electrical data

Total power consumption (W)	4.8
Primary Supply/Product voltage - min (V)	220
Primary Supply/Product voltage - max (V)	240
Lamp power factor	0.5
THD (at 230 V, 50 Hz, full load, at 100% dimming level) ≤ xx.x %	155
Electrical protection	Class II
Control gear type	LED driver constant current
Dimmable	No
Dimming method	N/A
Drive current (mA)	15
Inrush Current (A)	11.8
Inrush Duration (µs)	220
Energy Efficiency Class (A->G) of contained light source	F
Nominal Frequency (Hz)	50/60Hz
LED Flickering Rate	Low (6% - 20%)
Max. products per 10A C Breaker	68
Max. products per 13A C Breaker	89
Max. products per 16A C Breaker	112
Max. products per 20A C Breaker	137
Max. products per 10A B Breaker	41
Max. products per 16A B Breaker	66
Connectable conductor cross section - Min (mm ²)	0.75
Connectable conductor cross section - Max (mm ²)	1.5

Lifetime data

Lifespan L70 B50	57000
Lifespan L80 B20	34000

START SPOT 520LM 840 IP44 WHT

Item No: 0005489

SYLVANIA

Physical data

Housing colour	RAL 9003 - Signal white
IP rating	IP44/20
IK rating	IK03
Diffuser finish	Other
Diffuser material	None
Reflector finish	Not Applicable
Nominal Product Height (mm)	45.5
Nominal Product Diameter (mm)	87
Weight (kg)	0.067

Packaging

Product EAN number	5410288054896
Packaging single length / height (cm)	9.0
Packaging single width (cm)	7.5
Packaging single depth (cm)	9.0
DUN14 (inner)	15410288054893
Units per inner package	6
Packaging inner length / height (cm)	28.5
Packaging inner width (cm)	9.0
Packaging inner depth (cm)	19.0
DUN14 (outer)	25410288054890
Units per outer package	48
Packaging outer length / height (cm)	38.0
Packaging outer width (cm)	30.0
Packaging outer depth (cm)	40.5

Safety data

Glow Wire Test (°C)	650
Optimal operating condition (°C)	-10-40