

SYLSPOT KIT ROUND 345LM 840 ADJ IP20 BLK 3-PACK

Item No: 0005741

SYLVANIA

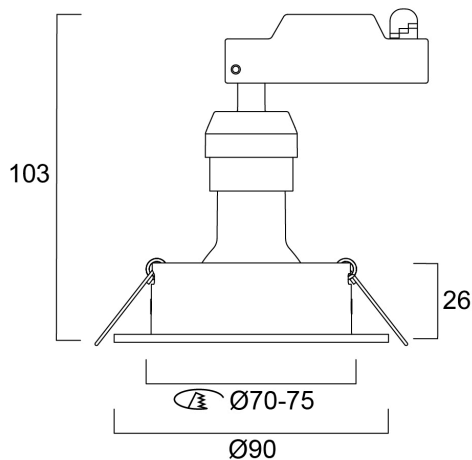
YourHome™



Recessed spotlight Kit with RefLED GU10 LED spotlight lamp Ø50mm. Polycarbonate body, round bezel ring in black color finish, vertical tilt 25°, IP20 degree of protection, class II. Lumen output 345lm, CCT 4000K, beam angle 36°, power 4,5W, efficacy 77 lm/W, lifetime 15.000h. Outer dimensions: Ø80x90mm, cut-out Ø68-76mm. Suitable for internal environment only and for LED lamps only. Pack of 3 pieces.

Technical Assets

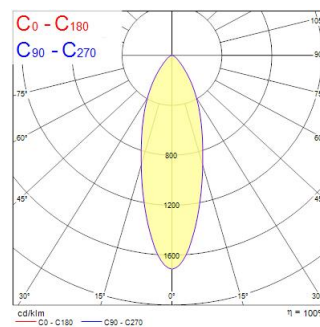
Dimensions (mm)



Photometrics

Distance [m]	Cone diameter [m]	Beam diameter [m]	Beam diameter [ft]	Illuminance [lx]
0.5	0.30	Ø171	16.1"	2394
1.0	0.60	Ø171	16.1"	591
1.5	0.90	Ø171	16.1"	263
2.0	1.20	Ø171	16.1"	148
2.5	1.50	Ø171	16.1"	96
3.0	1.80	Ø171	16.1"	66

Distance [m] Cone diameter [m] Illuminance [lx]
C0 - C180 (Half beam angle: 33.4°)



SYLSPOT KIT ROUND 345LM 840 ADJ IP20 BLK 3-PACK

Item No: 0005741

SYLVANIA

General data

Product name	SYLSPOT KIT ROUND 345LM 840 ADJ IP20 BLK 3-PACK
Technology	LED
Cap/Base	N/A
Housing	PC Polycarbonate
Mount	Ceiling recessed mounting
Built in presence detector	NONE
Environment	Indoor
General application	Residential & Consumer
Operating temperature range (°C)	-10°C...+40°C
Virtual assistant compatibility	N/A
ETIM Class	EC001744
Warranty	3 years

Optical data

Fixture luminous flux (lm)	345
Luminaire efficacy (lm/W)	77
Correlated colour temperature (k)	4000
Colour Code	840
Light colour	Neutral White
CRI (Ra)	80
Colour Variation Initial (SDCM)	SDCM6
Beam Angle (°)	36
Distribution type	Symmetric
Photobiological Risk Group	RG1

Electrical data

Total power consumption (W)	4.5
Primary Supply/Product voltage - min (V)	220
Primary Supply/Product voltage - max (V)	240
Lamp power factor	0.9
THD (at 230 V, 50 Hz, full load, at 100% dimming level) ≤ xx.x %	155
Electrical protection	Class II
Control gear type	LED driver constant current
Dimmable	No
Dimming method	N/A
Inrush Current (A)	10
Inrush Duration (µs)	150
Energy Efficiency Class (A->G) of contained light source	G
Nominal Frequency (Hz)	50/60Hz
Max. products per 10A C Breaker	100
Max. products per 13A C Breaker	130
Max. products per 16A C Breaker	160
Max. products per 20A C Breaker	200
Max. products per 16A B Breaker	160
Connectable conductor cross section - Min (mm ²)	0.75
Connectable conductor cross section - Max (mm ²)	1

Lifetime data

Lifespan L70 B50 | 15000

SYLSPOT KIT ROUND 345LM 840 ADJ IP20 BLK 3-PACK

Item No: 0005741

SYLVANIA

Physical data

Housing colour	Black
IP rating	IP20
IK rating	IK03
Diffuser finish	Other
Diffuser material	None
Reflector finish	Not Applicable
Nominal Product Height (mm)	85
Nominal Product Diameter (mm)	90
Weight (kg)	0.27

Packaging

Product EAN number	5410288057415
Packaging single length / height (cm)	9.0
Packaging single width (cm)	7.5
Packaging single depth (cm)	30.0
DUN14 (inner)	15410288057412
Units per outer package	16
Packaging outer length / height (cm)	38.0
Packaging outer width (cm)	30.0
Packaging outer depth (cm)	37.5

Safety data

Glow Wire Test (°C)	650
Optimal operating condition (°C)	-10-40