

RefLED MR16 V5 345lm 827 36° SL

Item No: 0026611

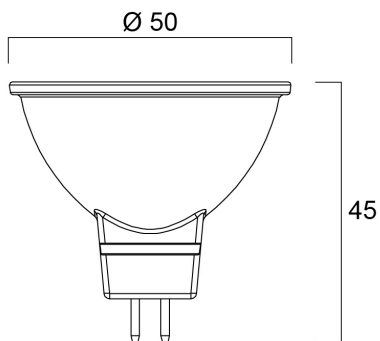
SYLVANIA



- Compact, energy efficient and exceptional value for money product.
- Same shape and size as halogen MR16 lamp
- Compact Cluster SMD technology enabling high efficiency with halogen look
- Reduced visible heat sink from the front
- Available in 36 degree
- High lumen efficacy
- 12V AC/DC
- 15,000 hours average rated life
- 3 years warranty

Technical Assets

Dimensions (mm)



Photometrics

RefLED MR16 V5 345lm 827 36° SL

Item No: 0026611

SYLVANIA

General data

| | |
|---|--|
| Product name | RefLED MR16 V5 345lm 827 36° SL |
| Technology | LED |
| Watt (Rated) (W) | 4.50 |
| Cap/Base | GU5.3 |
| Fixture rating | Open |
| General application | Hospitality, Education, Residential & Consumer |
| Performance ambient temperature Tq (°C) | 25 |
| ETIM Class | EC001959 |
| E-number FI | 4740454 |
| Warranty | 3 years |

Optical data

| | |
|--|-----------|
| Useful luminous flux (Φ_{use}) | 345 |
| Correlated colour temperature (k) | 2700 |
| Light colour | Homelight |
| CRI (Ra) | 80 |
| Colour Variation Initial (SDCM) | SDCM6 |
| Colour Consistency (SDCM) | 6 |
| Luminous Intensity (cd) | 800 |
| Beam Angle (°) | 36 |
| Lumen maintenance at end of nominal life (%) | 70 |

Electrical data

| | |
|---|--------|
| Power consumption (W) | 4.5 |
| Wattage (W) | 4.50 |
| Starting time (max) (s) | < 0.5 |
| Warm-up time to 60% of full light (max) (s) | < 1.0 |
| Lamp power factor | 0.5 |
| No. Of switching cycles before premature failures | >50000 |
| Inrush Current (A) | 2.70 |
| Max. products per 10A C Breaker | 8 |
| Max. products per 16A C Breaker | 12 |
| Max. products per 20A C Breaker | 16 |

Lifetime data

| | |
|----------------------------|-------|
| Average life (Nominal) (h) | 15000 |
| Average life (Rated) (h) | 15000 |

Physical data

| | |
|-------------------------------|-------|
| Nominal Product Length (mm) | 45 |
| Nominal Product Diameter (mm) | 50 |
| Weight (kg) | 0.026 |

Packaging

| | |
|---------------------------------------|----------------|
| Product EAN number | 5410288266114 |
| Packaging single length / height (cm) | 5.5 |
| Packaging single width (cm) | 5.2 |
| Packaging single depth (cm) | 5.2 |
| DUN14 (inner) | 15410288266111 |
| Units per inner package | 6 |
| Packaging inner length / height (cm) | 16.7 |
| Packaging inner width (cm) | 11.5 |
| Packaging inner depth (cm) | 6.5 |
| DUN14 (outer) | 25410288266118 |
| Units per outer package | 60 |
| Packaging outer length / height (cm) | 59.0 |
| Packaging outer width (cm) | 18.2 |
| Packaging outer depth (cm) | 15.5 |

Safety data

| | |
|-------------------------------------|--|
| Breakage cleaning instructions | Not applicable |
| Special purpose lamp | No |
| Dry applications use only | Yes |
| Suitable for household illumination | Yes |
| Safety message | Not Suitable for totally enclosed fixtures |