

RefLED ES50 XL V4 345LM 830 36 SL

Item No: 0028585

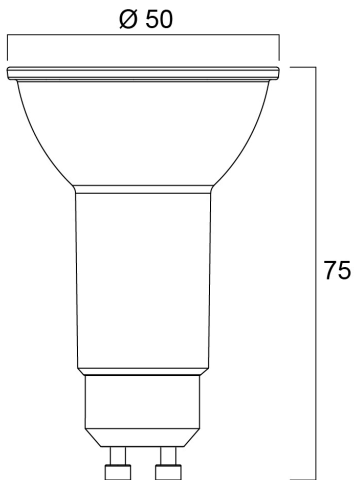
SYLVANIA



Perfect for consumers and contractors looking for LED solutions to replace halogenGU10 in the most efficient and economical way, while maintaining a similar visual appearance and brightness. Available in non-dimmable versions in popular Homelight (2700K) colour temperature and is backed by a 3-year warranty for complete peace of mind.

Technical Assets

Dimensions (mm)



Photometrics

RefLED ES50 XL V4 345LM 830 36 SL

Item No: 0028585

SYLVANIA

General data

Product name	RefLED ES50 XL V4 345LM 830 36 SL
Technology	LED
Watt (Rated) (W)	4.2
Cap/Base	GU10
Fixture rating	Open
General application	Hospitality, Museums & Galleries, Residential & Consumer, Retail
Operating temperature range (°C)	-20°C...+40°C
Performance ambient temperature Tq (°C)	25
ETIM Class	EC001959
Warranty	3 years

Optical data

Useful luminous flux (Φ_{use})	345
Correlated colour temperature (k)	3000
Light colour	Warm White
CRI (Ra)	80
Colour Consistency (SDCM)	6
Colour Variation Initial (SDCM)	SDCM6
Luminous Intensity (cd)	770
Beam Angle (°)	36
Photobiological Risk Group	RG1
Lumen maintenance at end of nominal life (%)	70

Electrical data

Power consumption (W)	4.2
Wattage (W)	4.2
Equivalent watt (W)	50
Starting time (max) (s)	< 0.5
Warm-up time to 60% of full light (max) (s)	< 1.0
Primary Supply/Product voltage - min (V)	220.0
Primary Supply/Product voltage - max (V)	240.0
Lamp power factor	1
Control gear required	No
No. Of switching cycles before premature failures	>50000
Dimmable	No
Inrush Current (A)	3.9
Inrush Duration (μ s)	4100
Lamp Energy Label (class)	F
Nominal Frequency (Hz)	50/60Hz
Max. products per 10A C Breaker	14
Max. products per 16A C Breaker	288
Max. products per 20A C Breaker	28
Max. products per 16A B Breaker	173

Lifetime data

Lifespan L70 B50	15000
Average life (Nominal) (h)	15000
Average life (Rated) (h)	15000

Physical data

Nominal Product Length (mm)	75
Nominal Product Diameter (mm)	50
Weight (kg)	0.023

RefLED ES50 XL V4 345LM 830 36 SL

Item No: 0028585



Packaging

Product EAN number	5410288285856
Packaging single length / height (cm)	6.1
Packaging single width (cm)	5.1
Packaging single depth (cm)	9.0
DUN14 (inner)	15410288285853
Units per outer package	6
Packaging outer length / height (cm)	19.5
Packaging outer width (cm)	11.3
Packaging outer depth (cm)	10.5

Safety data

Optimal operating condition (°C)	-20-40
Breakage cleaning instructions	Not applicable
Special purpose lamp	No
Dry applications use only	Yes
Suitable for household illumination	Yes
Safety message	Not Suitable for totally enclosed fixtures