

# RefLED Retro PAR16 V2 345LM 830 E14 36 SL

Item No: 0029193

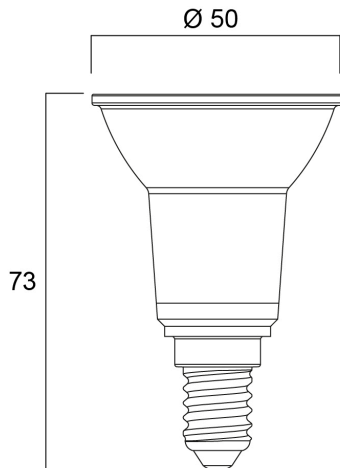
**SYLVANIA**



High performance LED PAR16 lamp with the same look and feel of traditional PAR lamps Glass construction - means no colours clashing between the lamp and fixture Reduced visible heatsink from the front Mercury-free solution Lower maintenance cost Lifetime: 15,000 hours High lumen efficacy Non-dimmable 3 year warranty Suitable for general lighting and accent lighting for hotels, restaurants, bars, lobbies, corridors and halls

## Technical Assets

### Dimensions (mm)



### Photometrics

# RefLED Retro PAR16 V2 345LM 830 E14 36 SL

Item No: 0029193

**SYLVANIA**

## General data

Product name	RefLED Retro PAR16 V2 345LM 830 E14 36 SL
Technology	LED
Watt (Rated) (W)	4.5
Cap/Base	E14
Fixture rating	Open
General application	Hospitality, Museums & Galleries, Residential & Consumer, Retail
Operating temperature range (°C)	-20°C...+40°C
Performance ambient temperature Tq (°C)	25
ETIM Class	EC001959
E-number FI	4741075
Warranty	3 years

## Optical data

Useful luminous flux ( $\Phi_{use}$ )	345
Correlated colour temperature (k)	3000
Light colour	Warm White
CRI (Ra)	80
Colour Consistency (SDCM)	6
Colour Variation Initial (SDCM)	SDCM6
Luminous Intensity (cd)	700
Beam Angle (°)	36
Photobiological Risk Group	RG1
Lumen maintenance at end of nominal life (%)	70

## Electrical data

Power consumption (W)	4.5
Wattage (W)	4.5
Equivalent watt (W)	50
Primary Supply/Product voltage - min (V)	220
Primary Supply/Product voltage - max (V)	240
Control gear required	No
No. Of switching cycles before premature failures	>50000
Dimmable	No
Inrush Current (A)	4.2
Inrush Duration ( $\mu$ s)	148
Lamp Energy Label (class)	F
Nominal Frequency (Hz)	50/60Hz
Max. products per 16A C Breaker	183
Max. products per 16A B Breaker	145

## Lifetime data

Lifespan L70 B50	15000
Average life (Nominal) (h)	15000
Average life (Rated) (h)	15000

## Physical data

Nominal Product Length (mm)	73
Nominal Product Diameter (mm)	50
Weight (kg)	0.045

# RefLED Retro PAR16 V2 345LM 830 E14 36 SL

Item No: 0029193



## Packaging

Product EAN number	5410288291932
Packaging single length / height (cm)	5.0
Packaging single width (cm)	5.0
Packaging single depth (cm)	8.7
DUN14 (inner)	15410288291939
Units per inner package	6
Packaging inner length / height (cm)	16.3
Packaging inner width (cm)	11.0
Packaging inner depth (cm)	9.8
DUN14 (outer)	25410288291936
Units per outer package	48
Packaging outer length / height (cm)	34.5
Packaging outer width (cm)	23.8
Packaging outer depth (cm)	22.0

## Safety data

Optimal operating condition (°C)	-20-40
Breakage cleaning instructions	Not applicable
Special purpose lamp	No
Dry applications use only	Yes
Suitable for household illumination	Yes
Safety message	Not Suitable for totally enclosed fixtures