

# ToLEDo RT Candle CL 470LM 827 B22 SL4

Item No: 0029550

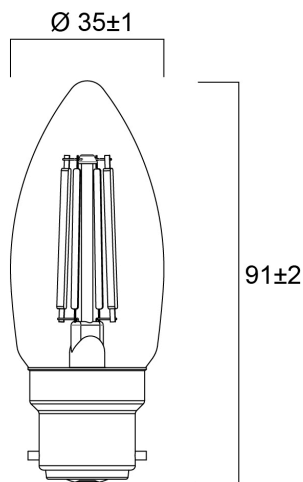
**SYLVANIA**



Perfect for decorative and general lighting applications and creates a warm ambiance similar to traditional lamps Same look, size and functionality as incandescent lamps Omni-directional light distribution 12,000 hours average rated life Suitable replacement for incandescent and halogen lamps Gives same sparkling light effect as incandescent lamp Dimensionally identical to incandescent lamps - fits all fixtures Environment friendly - no mercury and lower CO2 emissions

## Technical Assets

### Dimensions (mm)



### Photometrics

# ToLEDo RT Candle CL 470LM 827 B22 SL4

Item No: 0029550

**SYLVANIA**

## General data

Product name	ToLEDo RT Candle CL 470LM 827 B22 SL4
Technology	LED
Watt (Rated) (W)	4.5
Cap/Base	B22
Fixture rating	Open
General application	Residential & Consumer
Operating temperature range (°C)	-20°C...+40°C
Performance ambient temperature Tq (°C)	25
ETIM Class	EC001959
Warranty	2 years

## Optical data

Useful luminous flux (Φuse)	470
Luminous flux (Rated) (lm)	470
Correlated colour temperature (k)	2700
Light colour	Homelight
CRI (Ra)	80
Colour Variation Initial (SDCM)	SDCM6
Photobiological Risk Group	RG1
Lumen maintenance at end of nominal life (%)	70

## Electrical data

Power consumption (W)	4.5
Wattage (W)	4.5
Equivalent watt (W)	40
Primary Supply/Product voltage - min (V)	220
Primary Supply/Product voltage - max (V)	240
Control gear required	No
No. Of switching cycles before premature failures	>50000
Dimmable	No
Inrush Current (A)	6.3
Inrush Duration (µs)	240
Lamp Energy Label (class)	F
Nominal Frequency (Hz)	50/60Hz
Max. products per 16A C Breaker	25
Max. products per 16A B Breaker	13

## Lifetime data

Lifespan L70 B50	12000
Average life (Nominal) (h)	15000
Average life (Rated) (h)	15000

## Physical data

Nominal Product Length (mm)	91
Nominal Product Diameter (mm)	35
Weight (kg)	0.084

# ToLEDo RT Candle CL 470LM 827 B22 SL4

Item No: 0029550



## Packaging

Product EAN number	5410288295503
Packaging single length / height (cm)	11.0
Packaging single width (cm)	15.7
Packaging single depth (cm)	3.9
DUN14 (inner)	15410288295500
Units per outer package	6
Packaging outer length / height (cm)	12.0
Packaging outer width (cm)	24.5
Packaging outer depth (cm)	16.2

## Safety data

Optimal operating condition (°C)	-20-40
Breakage cleaning instructions	Not applicable
Special purpose lamp	No
Dry applications use only	Yes
Suitable for household illumination	Yes
Safety message	Not Suitable for totally enclosed fixtures