

ToLEDo GLS V8 1920LM 827 E27 SL

Item No: 0030021

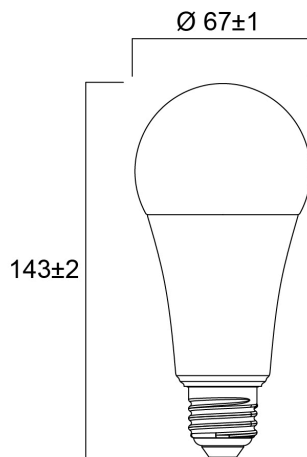
SYLVANIA



Compact and elegant design Suitable replacement for halogen, incandescent and compact fluorescent lamps Instant light at the flick of a switch Uniform light distribution Good colour rendering (CRI 80) Perfect for hotels, restaurants, lobbies, corridors, stairwells, reception areas Lower maintenance costs 15,000 hours average rated life

Technical Assets

Dimensions (mm)



Photometrics

ToLEDo GLS V8 1920LM 827 E27 SL

Item No: 0030021

SYLVANIA

General data

Product name	ToLEDo GLS V8 1920LM 827 E27 SL
Technology	LED
Watt (Rated) (W)	17
Lamp shape	Pear-shape
Cap/Base	E27
Lamp finish	Opal
Fixture rating	Open
General application	Education, Hospitality, Residential & Consumer
Operating temperature range (°C)	-20°C...+40°C
Performance ambient temperature Tq (°C)	25
Virtual assistant compatibility	N/A
ETIM Class	EC001959
E-number FI	4741159
Warranty	3 years

Optical data

Useful luminous flux (Φ_{use})	1920
Luminous flux (Rated) (lm)	1920
Correlated colour temperature (k)	2700
Light colour	Homelight
CRI (Ra)	80
Colour Variation Initial (SDCM)	SDCM6
Photobiological Risk Group	RG1
Lumen maintenance at end of nominal life (%)	70

Electrical data

Power consumption (W)	17
Wattage (W)	17
Equivalent watt (W)	121
Primary Supply/Product voltage - min (V)	220
Primary Supply/Product voltage - max (V)	240
Lamp power factor	0.5
Control gear required	No
No. Of switching cycles before premature failures	>50000
Dimmable	No
Inrush Current (A)	3.6
Inrush Duration (μ s)	600
Lamp Energy Label (class)	E
Nominal Frequency (Hz)	50/60Hz
Max. products per 16A C Breaker	106
Max. products per 16A B Breaker	106

Lifetime data

Lifespan L70 B50	15000
Average life (Nominal) (h)	15000
Average life (Rated) (h)	15000

Physical data

Housing colour	White
IP rating	IP20
Nominal Product Height (mm)	143
Nominal Product Diameter (mm)	67
Weight (kg)	0.084

ToLEDo GLS V8 1920LM 827 E27 SL

Item No: 0030021



Packaging

Product EAN number	5410288300214
Packaging single length / height (cm)	7.0
Packaging single width (cm)	7.0
Packaging single depth (cm)	15.2
DUN14 (inner)	15410288300211
Units per outer package	6
Packaging outer length / height (cm)	22.1
Packaging outer width (cm)	15.0
Packaging outer depth (cm)	16.0

Safety data

Optimal operating condition (°C)	-20-40
Breakage cleaning instructions	Not applicable
Special purpose lamp	No
Dry applications use only	Yes
Suitable for household illumination	Yes
Safety message	Not Suitable for totally enclosed fixtures