

# REFLED SUPERIA RETRO ES50 V5 345LM DIM 930 36 SL5

Item No: 0030723

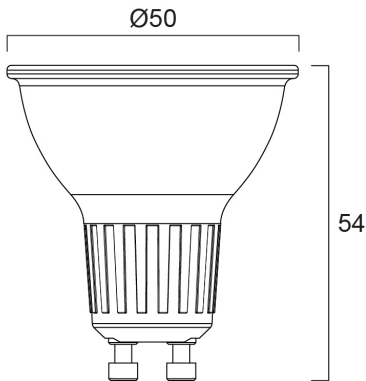
**SYLVANIA**



Premium performance professional LED GU10 range with the same look and feel of traditional halogen GU10 lamp. Recreates backlight effect similar to halogen dichroic lamps. Full glass design - means no colours clashing between lamp and fixture. Very long lifetime of up to 25,000 hours. COOLFIT functionality – ensures overheat and over temperature protection. High switching cycles: >100,000. High colour rendering: CRI90. Dimmable. Warranty: 5 Years

## Technical Assets

### Dimensions (mm)



### Photometrics

# REFLED SUPERIA RETRO ES50 V5 345LM DIM 930 36 SL5

Item No: 0030723

**SYLVANIA**

## General data

|                                  |   |
|----------------------------------|---|
| Product name                     | REFLED SUPERIA RETRO ES50 V5 345LM DIM 930 36 SL5                                   |
| Technology                       | LED   |
| Lamp shape                       | Reflector   |
| Cap/Base                         | GU10  |
| Lamp finish                      | Fresnel lens  |
| Built in presence detector       | NONE  |
| Fixture rating                   | Open  |
| General application              | Education, Hospitality, Museums & Galleries, Office, Residential & Consumer, Retail |
| Operating temperature range (°C) | -20°C...+50°C   |
| Virtual assistant compatibility  | N/A   |
| ETIM Class                       | EC001959  |
| Warranty                         | 5 years   |

## Optical data

|                                   |            |
|-----------------------------------|------------|
| Useful luminous flux (Φuse)       | 345        |
| Correlated colour temperature (k) | 3000       |
| Light colour                      | Warm White |
| CRI (Ra)                          | 90         |
| Colour Variation Initial (SDCM)   | SDCM6      |
| Luminous Intensity (cd)           | 600        |
| Beam Angle (°)                    | 36         |
| Photobiological Risk Group        | RG1        |

## Electrical data

|   |                                |
|---|--------------------------------|
| Power consumption (W)                             | 3.6                            |
| Wattage (W)                                       | 3.7                            |
| Equivalent watt (W)                               | 50                             |
| Supply current (A)                                | 0.034                          |
| Primary Supply/Product voltage - min (V)          | 220.0                          |
| Primary Supply/Product voltage - max (V)          | 240.0                          |
| Control gear required                             | No                             |
| Control gear type                                 | LED driver constant current    |
| No. Of switching cycles before premature failures | >50000                         |
| Dimmable  | Yes                            |
| Dimming method                                    | Mains: leading / trailing edge |
| Inrush Current (A)                                | 2.3                            |
| Inrush Duration (µs)                              | 273                            |
| Lamp Energy Label (class)                         | E                              |
| Nominal Frequency (Hz)                            | 50/60Hz                        |

## Lifetime data

|                  |       |
|------------------|-------|
| Lifespan L70 B50 | 25000 |
|------------------|-------|

## Physical data

|                               |             |
|-------------------------------|-------------|
| Housing colour                | Transparent |
| IP rating                     | IP20        |
| Nominal Product Height (mm)   | 54          |
| Nominal Product Diameter (mm) | 50          |
| Weight (kg)                   | 0.19        |

# REFLED SUPERIA RETRO ES50 V5 345LM DIM 930 36 SL5

Item No: 0030723

**SYLVANIA**

## Packaging

|                                       |                |
|---------------------------------------|----------------|
| Product EAN number                    | 5410288307237  |
| Packaging single length / height (cm) | 19.5           |
| Packaging single width (cm)           | 5.0            |
| Packaging single depth (cm)           | 8.1            |
| DUN14 (inner)                         | 15410288307234 |
| Units per outer package               | 6              |
| Packaging outer length / height (cm)  | 32.3           |
| Packaging outer width (cm)            | 20.2           |
| Packaging outer depth (cm)            | 9.2            |

## Safety data

|                                     |                                |
|-------------------------------------|--------------------------------|
| Optimal operating condition (°C)    | -20-50                         |
| Breakage cleaning instructions      | Not applicable                 |
| Special purpose lamp                | No                             |
| Dry applications use only           | Yes                            |
| Suitable for household illumination | Yes                            |
| Safety message                      | Dimmable with approved dimmers |