

REFLED SUPERIA RETRO ES50 V5 450LM DIM 930 36 SL5

Item No: 0030729

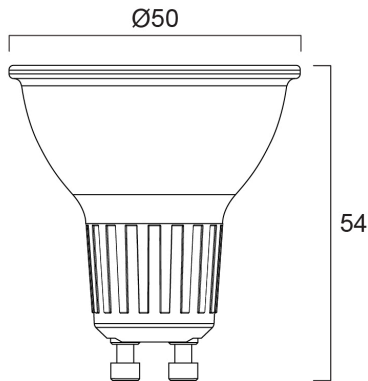
SYLVANIA



Premium performance professional LED GU10 range with the same look and feel of traditional halogen GU10 lamp. Recreates backlight effect similar to halogen dichroic lamps. Full glass design - means no colours clashing between lamp and fixture. Very long lifetime of up to 25,000 hours. COOLFIT functionality – ensures overheat and over temperature protection. High switching cycles: >100,000. High colour rendering: CRI90. Dimmable. Warranty: 5 Years

Technical Assets

Dimensions (mm)



Photometrics

REFLED SUPERIA RETRO ES50 V5 450LM DIM 930 36 SL5

Item No: 0030729

SYLVANIA

General data

Product name	REFLED SUPERIA RETRO ES50 V5 450LM DIM 930 36 SL5
Technology	LED
Lamp shape	Reflector
Cap/Base	GU10
Lamp finish	Fresnel lens
Built in presence detector	NONE
Fixture rating	Open
General application	Education, Hospitality, Museums & Galleries, Office, Residential & Consumer, Retail
Operating temperature range (°C)	-20°C...+50°C
Virtual assistant compatibility	N/A
ETIM Class	EC001959
Warranty	5 years

Optical data

Useful luminous flux (Φuse)	450
Correlated colour temperature (k)	3000
Light colour	Warm White
CRI (Ra)	90
Colour Variation Initial (SDCM)	SDCM6
Luminous Intensity (cd)	780
Beam Angle (°)	36
Photobiological Risk Group	RG1

Electrical data

Power consumption (W)	4.8
Wattage (W)	4.8
Equivalent watt (W)	60
Supply current (A)	0.044
Primary Supply/Product voltage - min (V)	220.0
Primary Supply/Product voltage - max (V)	240.0
Control gear required	No
Control gear type	LED driver constant current
No. Of switching cycles before premature failures	>50000
Dimmable	Yes
Dimming method	Mains: leading / trailing edge
Inrush Current (A)	2.6
Inrush Duration (µs)	310
Lamp Energy Label (class)	E
Nominal Frequency (Hz)	50/60Hz

Lifetime data

Lifespan L70 B50	25000
------------------	-------

Physical data

Housing colour	Transparent
IP rating	IP20
Nominal Product Height (mm)	54
Nominal Product Diameter (mm)	50
Weight (kg)	0.19

REFLED SUPERIA RETRO ES50 V5 450LM DIM 930 36 SL5

Item No: 0030729

SYLVANIA

Packaging

Product EAN number	5410288307299
Packaging single length / height (cm)	19.5
Packaging single width (cm)	5.0
Packaging single depth (cm)	8.1
DUN14 (inner)	15410288307296
Units per outer package	6
Packaging outer length / height (cm)	32.3
Packaging outer width (cm)	20.2
Packaging outer depth (cm)	9.2

Safety data

Optimal operating condition (°C)	-20-50
Breakage cleaning instructions	Not applicable
Special purpose lamp	No
Dry applications use only	Yes
Suitable for household illumination	Yes
Safety message	Dimmable with approved dimmers