

# REFLED SUPERIA RETRO ES50 V5 475LM DIM 940 36 SL5

Item No: 0030731

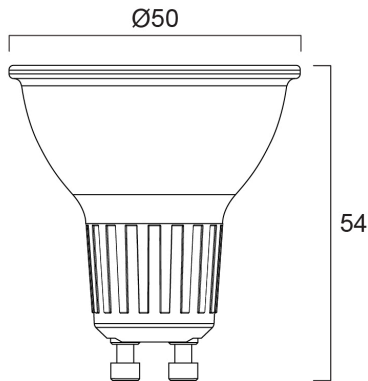
**SYLVANIA**



Premium performance professional LED GU10 range with the same look and feel of traditional halogen GU10 lamp. Recreates backlight effect similar to halogen dichroic lamps. Full glass design - means no colours clashing between lamp and fixture. Very long lifetime of up to 25,000 hours. COOLFIT functionality – ensures overheat and over temperature protection. High switching cycles: >100,000. High colour rendering: CRI90. Dimmable. Warranty: 5 Years

## Technical Assets

### Dimensions (mm)



### Photometrics

# REFLED SUPERIA RETRO ES50 V5 475LM DIM 940 36 SL5

Item No: 0030731

**SYLVANIA**

## General data

Product name	REFLED SUPERIA RETRO ES50 V5 475LM DIM 940 36 SL5
Technology	LED
Lamp shape	Reflector
Cap/Base	GU10
Lamp finish	Fresnel lens
Built in presence detector	NONE
Fixture rating	Open
General application	Education, Hospitality, Museums & Galleries, Office, Residential & Consumer, Retail
Operating temperature range (°C)	-20°C...+50°C
Virtual assistant compatibility	N/A
ETIM Class	EC001959
Warranty	5 years

## Optical data

Useful luminous flux ( $\Phi_{use}$ )	475
Correlated colour temperature (k)	4000
Light colour	Cool White
CRI (Ra)	90
Colour Variation Initial (SDCM)	SDCM6
Luminous Intensity (cd)	820
Beam Angle (°)	36
Photobiological Risk Group	RG1

## Electrical data

Power consumption (W)	4.8
Wattage (W)	4.8
Equivalent watt (W)	65
Supply current (A)	0.044
Primary Supply/Product voltage - min (V)	220.0
Primary Supply/Product voltage - max (V)	240.0
Control gear required	No
Control gear type	LED driver constant current
No. Of switching cycles before premature failures	>50000
Dimmable	Yes
Dimming method	Mains: leading / trailing edge
Inrush Current (A)	2.6
Inrush Duration ( $\mu$ s)	310
Lamp Energy Label (class)	E
Nominal Frequency (Hz)	50/60Hz

## Lifetime data

Lifespan L70 B50	25000
------------------	-------

## Physical data

Housing colour	Transparent
IP rating	IP20
Nominal Product Height (mm)	54
Nominal Product Diameter (mm)	50
Weight (kg)	0.19

# REFLED SUPERIA RETRO ES50 V5 475LM DIM 940 36 SL5

Item No: 0030731

**SYLVANIA**

## Packaging

Product EAN number	5410288307312
Packaging single length / height (cm)	19.5
Packaging single width (cm)	5.0
Packaging single depth (cm)	8.1
DUN14 (inner)	15410288307319
Units per outer package	6
Packaging outer length / height (cm)	32.3
Packaging outer width (cm)	20.2
Packaging outer depth (cm)	9.2

## Safety data

Optimal operating condition (°C)	-20-50
Breakage cleaning instructions	Not applicable
Special purpose lamp	No
Dry applications use only	Yes
Suitable for household illumination	Yes
Safety message	Dimmable with approved dimmers