

REFLED PLATINUM RETRO ES50 575LM DIM 840 36 SL

Item No: 0031936

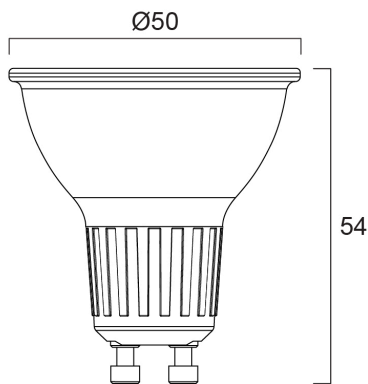
SYLVANIA



Ultra-efficient LED GU10 range with the same look and size as traditional GU10 lamp. Save up to 95% on energy bills compared to halogen GU10 lamps. Energy Class A and best-in-class lumen efficacy. Sustainable and eco-friendly solution. Recreates backlight effect like halogen dichroic GU10 lamps. Full glass design - means no colours clashing between lamps and fixture. Last three times longer than the standard LED retrofit lamps. Remarkable 50,000 hours average rated life – reducing the hassle of frequent replacements. COOLFIT functionality – ensures overheating and overtemperature protection. Ideal for everyday lighting in homes, hotels, restaurants and more. Dimmable.

Technical Assets

Dimensions (mm)



Photometrics

REFLED PLATINUM RETRO ES50 575LM DIM 840 36 SL

Item No: 0031936

SYLVANIA

General data

Product name	REFLED PLATINUM RETRO ES50 575LM DIM 840 36 SL
Technology	LED
Lamp shape	Reflector
Cap/Base	GU10
Lamp finish	Fresnel lens
Built in presence detector	NONE
Fixture rating	Open
General application	Education, Hospitality, Museums & Galleries, Office, Residential & Consumer, Retail
Virtual assistant compatibility	N/A
ETIM Class	EC001959
Warranty	5 years

Optical data

Useful luminous flux (Φ_{use})	575
Correlated colour temperature (k)	4000
Light colour	Cool White
CRI (Ra)	80
Colour Variation Initial (SDCM)	SDCM6
Luminous Intensity (cd)	1100
Beam Angle (°)	36
Photobiological Risk Group	RG1

Electrical data

Power consumption (W)	3.2
Wattage (W)	3.2
Equivalent watt (W)	80
Supply current (A)	0.025
Primary Supply/Product voltage - min (V)	220.0
Primary Supply/Product voltage - max (V)	240.0
Lamp power factor	0.5
Control gear required	No
Control gear type	LED driver constant current
No. Of switching cycles before premature failures	>50000
Dimmable	Yes
Dimming method	N/A, Mains: leading / trailing edge
Inrush Current (A)	4.12
Inrush Duration (μ s)	900
Lamp Energy Label (class)	A
Nominal Frequency (Hz)	50/60Hz

Lifetime data

Lifespan L70 B50	50000
------------------	-------

Physical data

Housing colour	Transparent
IP rating	IP20
Nominal Product Height (mm)	54
Nominal Product Diameter (mm)	50
Weight (kg)	0.046

REFLED PLATINUM RETRO ES50 575LM DIM 840 36 SL

Item No: 0031936

SYLVANIA

Packaging

Product EAN number	5410288319360
Packaging single length / height (cm)	6.1
Packaging single width (cm)	5.1
Packaging single depth (cm)	8.2
DUN14 (inner)	15410288319367
Units per inner package	6
Packaging inner length / height (cm)	19.4
Packaging inner width (cm)	11.1
Packaging inner depth (cm)	9.2
DUN14 (outer)	25410288319364
Units per outer package	60
Packaging outer length / height (cm)	58.5
Packaging outer width (cm)	20.8
Packaging outer depth (cm)	20.8

Safety data

Breakage cleaning instructions	Not applicable
Special purpose lamp	No
Dry applications use only	Yes
Suitable for household illumination	Yes
Safety message	Dimmable with approved dimmers