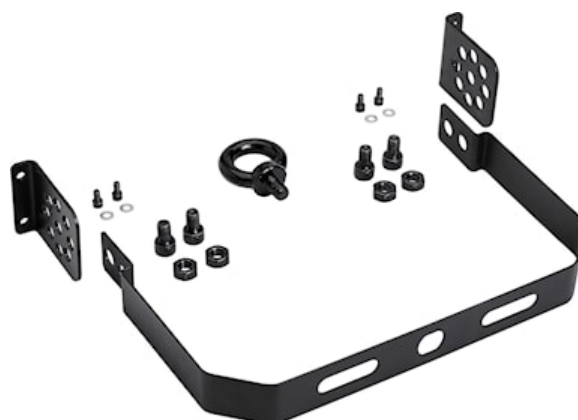


# BRACKET AND ARM FOR 13KLM

Item No: 0039353

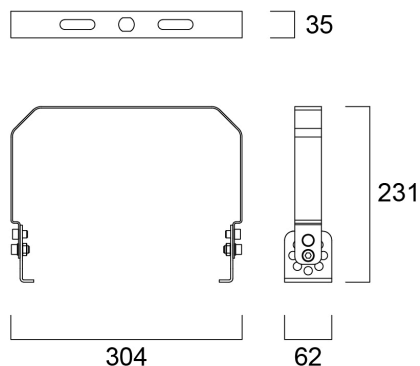
**SYLVANIA**



Adjustable stainless steel bracket and arm for 13000 lm Start Highbay (0039344, 0039347, 0039350).

## Technical Assets

### Dimensions (mm)



### Photometrics

### General data

Product name	BRACKET AND ARM FOR 13KLM
Technology	Accessory
Housing	Steel
Mount	Wall surface mounted
General application	Logistics & Industry
ETIM Class	EC002557
E-number FI	4306968
E-number SE	7214428
Warranty	5 years

### Physical data

Housing colour	Black
Nominal Product Length (mm)	304
Nominal Product Width (mm)	231
Nominal Product Height (mm)	62
Weight (kg)	0.67

# BRACKET AND ARM FOR 13KLM

Item No: 0039353



## Packaging

Product EAN number	5410288393537
Packaging single length / height (cm)	31.5
Packaging single width (cm)	4.8
Packaging single depth (cm)	23.0
DUN14 (inner)	15410288393534
Units per outer package	10
Packaging outer length / height (cm)	47.5
Packaging outer width (cm)	33.0
Packaging outer depth (cm)	26.2