

Granit IP65 0-10V 19000lm 840 WB

Item No: 0039596

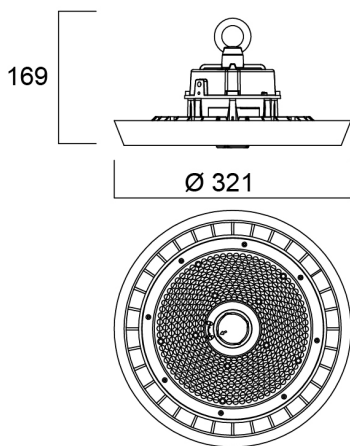
SYLVANIA



Integrated LED highbay; Black aluminium housing; 19500Lm; 135 W; 144 Lm/W; 4000K; Drive current: 540mA; CRI 80; 85° beam angle; 0-10V dimmable; IP65; IK08; Lifespan L80:B50 90,000 hrs; (D x H) 321 x 169 mm; 1.5 m mains cable; 1.5 m control cable; 1.2 m chain length including hooks.

Technical Assets

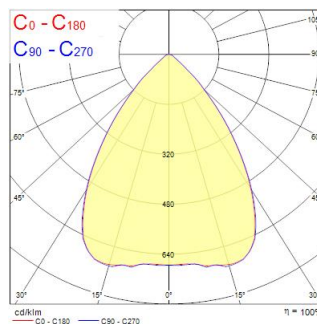
Dimensions (mm)



Photometrics

Distance [m]	Cone diameter [m]	Beam diameter [m]	Illuminance [lx]
0.5	0.86	Ø171	5409
		Ø100	1100
1.0	1.72	Ø171	1320
		Ø100	260
1.5	2.58	Ø171	611
		Ø100	132
2.0	3.44	Ø171	331
		Ø100	70
2.5	4.30	Ø171	214
		Ø100	47
3.0	5.16	Ø171	153
		Ø100	33

Distance [m] Cone diameter [m] Illuminance [lx]
 C0 - C180 (Half beam angle: 81.4°)



Granit IP65 0-10V 19000lm 840 WB

Item No: 0039596

SYLVANIA

General data

Product name	Granit IP65 0-10V 19000lm 840 WB
Technology	LED
Housing	Aluminium
Mount	Suspended
Fixture rating	Enclosed
General application	Logistics & Industry
Operating temperature range (°C)	-30°C...+50°C
Performance ambient temperature Tq (°C)	25
ETIM Class	EC001716
Warranty	5 years

Optical data

Fixture luminous flux (lm)	19500
Luminaire efficacy (lm/W)	144
Correlated colour temperature (k)	4000
Light colour	Neutral White
CRI (Ra)	80
Colour Variation Initial (SDCM)	SDCM3
Beam Angle (°)	85
Glare control	< 25
Photobiological Risk Group	RG1

Electrical data

Total power consumption (W)	135
Primary Supply/Product voltage - min (V)	220
Primary Supply/Product voltage - max (V)	240
Lamp power factor	1
THD (at 230 V, 50 Hz, full load, at 100% dimming level) ≤ xx.x %	10
Electrical protection	Class I
Control gear type	LED driver constant current
Dimmable	Yes
Dimming method	0-10V
Drive current (mA)	540
Inrush Current (A)	82.7
Inrush Duration (µs)	620
Energy Efficiency Class (A->G) of contained light source	E
Nominal Frequency (Hz)	50/60Hz
LED Flickering Rate	Ultra low (5% or less)
Max. products per 10A C Breaker	10
Max. products per 13A C Breaker	5
Max. products per 16A C Breaker	6
Max. products per 20A C Breaker	9
Max. products per 10A B Breaker	2
Max. products per 13A B Breaker	3
Max. products per 16A B Breaker	4
Max. products per 20A B Breaker	5

Lifetime data

Lifespan L80 B50	90000
Lifespan L80 B20	70000
Lifespan L80 B10	65000
Lifespan L90 B50	45000

Granit IP65 0-10V 19000lm 840 WB

Item No: 0039596

SYLVANIA

Physical data

Housing colour	Black
IP rating	IP65
IK rating	IK08
Diffuser finish	Transparent
Diffuser material	PC Polycarbonate
Nominal Product Height (mm)	169
Nominal Product Diameter (mm)	321
Weight (kg)	2.7

Packaging

Product EAN number	5410288395968
Packaging single length / height (cm)	38.0
Packaging single width (cm)	38.0
Packaging single depth (cm)	18.5
DUN14 (inner)	05410288395968
Units per outer package	1
Packaging outer length / height (cm)	38.0
Packaging outer width (cm)	38.0
Packaging outer depth (cm)	18.5

Safety data

Glow Wire Test (°C)	850
Optimal operating condition (°C)	-30-50