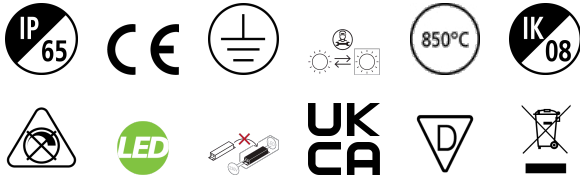


# START Highbay IP65 15000lm 840 WB

Item No: 0039615

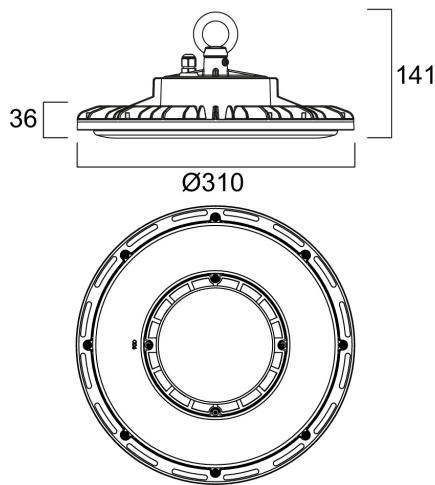
**SYLVANIA**



Integrated LED highbay; White aluminium housing; 15500Lm; 135W; 115Lm/W; 4000K; Drive current: 620mA; CRI 80; 95° beam angle; IP65; IK08; Lifespan L70:B50 90,000 hrs; (D x H) 310 x 141 mm; D-mark.

## Technical Assets

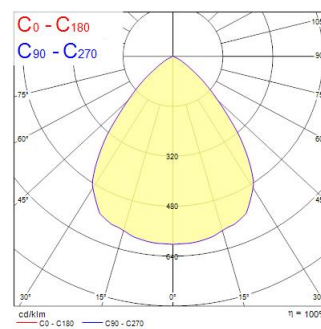
### Dimensions (mm)



### Photometrics

Distance [m]	Cone diameter [m]	Beam diameter [m]	Beam diameter [ft]	Illuminance [lx]
0.5	0.87	507	1662	3442
1.0	1.74	507	1662	856
1.5	2.61	507	1662	370
2.0	3.48	507	1662	219
2.5	4.35	507	1662	132
3.0	5.22	507	1662	80

Distance [m] Cone diameter [m] Illuminance [lx]  
C0 - C180 (Half beam angle: 82.0°)



# START Highbay IP65 15000lm 840 WB

Item No: 0039615

**SYLVANIA**

## General data

Product name	START Highbay IP65 15000lm 840 WB
Technology	LED
Cap/Base	N/A
General application	Logistics & Industry
Operating temperature range (°C)	-20°C...+45°C
Performance ambient temperature Tq (°C)	25
ETIM Class	EC001716
E-number FI	4357084
Warranty	5 years

## Optical data

Fixture luminous flux (lm)	15500
Luminaire efficacy (lm/W)	115
Correlated colour temperature (k)	4000
Light colour	Neutral White
CRI (Ra)	80
Colour Variation Initial (SDCM)	SDCM5
Beam Angle (°)	90
Photobiological Risk Group	RG1

## Electrical data

Total power consumption (W)	135
Primary Supply/Product voltage - min (V)	220
Primary Supply/Product voltage - max (V)	240
Lamp power factor	1
THD (at 230 V, 50 Hz, full load, at 100% dimming level) ≤ xx.x %	10
Electrical protection	Class I
Dimmable	No
Dimming method	N/A
Drive current (mA)	620
Inrush Current (A)	80
Inrush Duration (µs)	700
Energy Efficiency Class (A->G) of contained light source	F
Nominal Frequency (Hz)	50/60Hz
LED Flickering Rate	Ultra low (5% or less)
Max. products per 10A C Breaker	13
Max. products per 13A C Breaker	17
Max. products per 16A C Breaker	21
Max. products per 20A C Breaker	26
Max. products per 10A B Breaker	8
Max. products per 13A B Breaker	10
Max. products per 16A B Breaker	12
Max. products per 20A B Breaker	16

## Lifetime data

Lifespan L70 B50	90000
Lifespan L80 B20	62000

# START Highbay IP65 15000lm 840 WB

Item No: 0039615

**SYLVANIA**

## Physical data

Housing colour	RAL 9006 - Aluminium
IP rating	IP65
IK rating	IK08
Nominal Product Height (mm)	141
Nominal Product Diameter (mm)	310
Weight (kg)	2.152

## Packaging

Product EAN number	5410288396156
Packaging single length / height (cm)	32.5
Packaging single width (cm)	32.5
Packaging single depth (cm)	13.0
DUN14 (inner)	05410288396156
Units per outer package	1
Packaging outer length / height (cm)	32.5
Packaging outer width (cm)	32.5
Packaging outer depth (cm)	13.0

## Safety data

Glow Wire Test (°C)	850
Optimal operating condition (°C)	-20-45