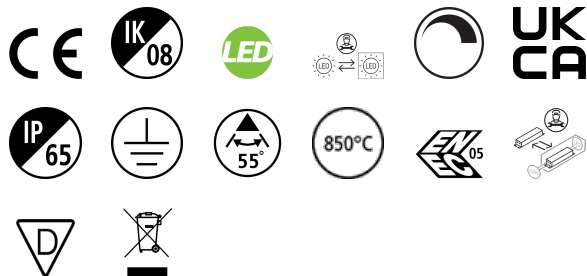


Granit IP65 DALI 13000lm 840 MB

Item No: 0039617

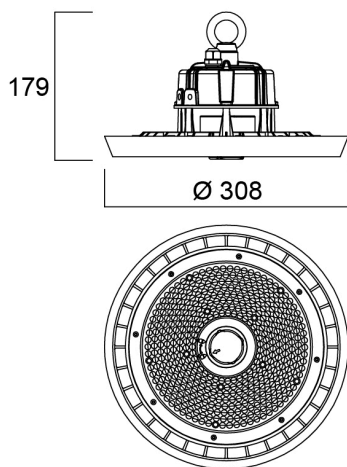
SYLVANIA



Integrated LED highbay; Black aluminium housing; 13000Lm; 93 W; 140 Lm/W; 4000K; Drive current: 1600mA; CRI 80; 55° beam angle; DALI dimmable; IP65; IK08; Lifespan L80:B50 90,000 hrs; (D x H) 308 x 179 mm; 1.5 m mains cable; 1.5 m control cable; 1.2 m chain length including hooks.

Technical Assets

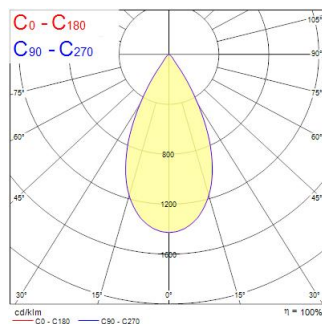
Dimensions (mm)



Photometrics

Distance [m]	Cone diameter [m]	Beam diameter [m]	Beam diameter [ft]	Illuminance [lx]
0.5	0.55	507	28.7"	6105
		5100	28.7"	2453
1.0	1.09	507	28.7"	1576
		5100	28.7"	933
1.5	1.64	507	28.7"	721
		5100	28.7"	293
2.0	2.19	507	28.7"	549
		5100	28.7"	158
2.5	2.74	507	28.7"	287
		5100	28.7"	91
3.0	3.28	507	28.7"	156
		5100	28.7"	58

Distance [m] Cone diameter [m] Illuminance [lx]
C0 - C180 (Half beam angle: 57.4°)



Granit IP65 DALI 13000lm 840 MB

Item No: 0039617

SYLVANIA

General data

Product name	Granit IP65 DALI 13000lm 840 MB
Technology	LED
Housing	Aluminium
Mount	Suspended
Fixture rating	Enclosed
General application	Logistics & Industry
Operating temperature range (°C)	-30°C...+50°C
Performance ambient temperature Tq (°C)	25
ETIM Class	EC001716
E-number FI	4357014
Warranty	5 years

Optical data

Fixture luminous flux (lm)	13000
Luminaire efficacy (lm/W)	140
Correlated colour temperature (k)	4000
Light colour	Neutral White
CRI (Ra)	80
Colour Variation Initial (SDCM)	SDCM3
Beam Angle (°)	55
Glare control	< 22
Photobiological Risk Group	RG1

Electrical data

Total power consumption (W)	93
Lamp power factor	0.95
THD (at 230 V, 50 Hz, full load, at 100% dimming level) ≤ xx.x %	10
Electrical protection	Class I
Control gear type	LED driver constant current
Dimmable	Yes
Dimming method	DALI
Drive current (mA)	1600
Inrush Current (A)	72.08
Inrush Duration (µs)	540
Energy Efficiency Class (A->G) of contained light source	E
Nominal Frequency (Hz)	50/60Hz
LED Flickering Rate	Low (6% - 20%)
Max. products per 10A C Breaker	10
Max. products per 13A C Breaker	13
Max. products per 16A C Breaker	16
Max. products per 20A C Breaker	20
Max. products per 10A B Breaker	6
Max. products per 13A B Breaker	7
Max. products per 16A B Breaker	9
Max. products per 20A B Breaker	12

Lifetime data

Lifespan L70 B50	90000
Lifespan L70 B20	90000
Lifespan L70 B10	90000
Lifespan L80 B50	90000
Lifespan L80 B20	70000
Lifespan L80 B10	65000
Lifespan L90 B50	45000
Lifespan L90 B20	35000
Lifespan L90 B10	30000

Granit IP65 DALI 13000lm 840 MB

Item No: 0039617

SYLVANIA

Physical data

Housing colour	Black
IP rating	IP65
IK rating	IK08
Diffuser finish	Transparent
Diffuser material	PC Polycarbonate
Nominal Product Height (mm)	179
Nominal Product Diameter (mm)	308
Weight (kg)	2.78

Packaging

Product EAN number	5410288396170
Packaging single length / height (cm)	37.0
Packaging single width (cm)	37.0
Packaging single depth (cm)	18.0
DUN14 (inner)	05410288396170
Units per outer package	1
Packaging outer length / height (cm)	37.0
Packaging outer width (cm)	37.0
Packaging outer depth (cm)	18.0

Safety data

Glow Wire Test (°C)	850
Optimal operating condition (°C)	-30-50