

START Panel UGR19 1200x300 3800Lm 840 SSA01D

Item No: 0042166

SYLVANIA

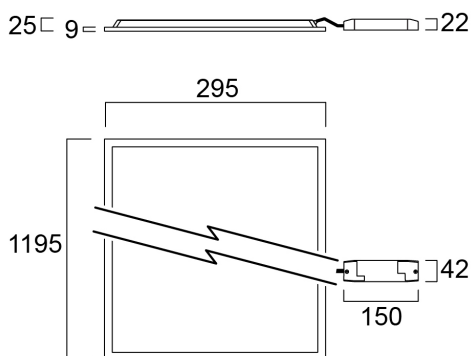
STARTTM



START Panel is a range of backlit LED panels used in recessed ceilings. Ideal for general indoor applications such as corridors, breakrooms, offices and meeting rooms. Luminaire dimensions are compatible with common ceiling installation, and the shallow design makes it easy to install in low ceilings. Tp(b) rated diffuser that may not burn at a speed of more than 50mm per minute. 3800Lm; 36W; 106Lm/W; Drive current: 750mA; Average lifespan: 100.000Hrs; 4000K; CRI 80; Glare control <19; IK03; IP40 (from the front); SDCM<3; Class II; SylSmart Connected (SSA) enabled.

Technical Assets

Dimensions (mm)



Photometrics

START Panel UGR19 1200x300 3800Lm 840 SSA01D

Item No: 0042166



General data

Product name	START Panel UGR19 1200x300 3800Lm 840 SSA01D
Technology	LED
Cap/Base	N/A
Housing	Aluminium, Steel
Mount	Ceiling recessed mounting
Built in presence detector	NONE
General application	Education, Office
Operating temperature range (°C)	-10°C...+45°C
Performance ambient temperature Tq (°C)	25
Virtual assistant compatibility	N/A
ETIM Class	EC002892
Warranty	5 years

Optical data

Fixture luminous flux (lm)	3800
Luminaire efficacy (lm/W)	106
Correlated colour temperature (k)	4000
Colour Code	840
Light colour	Neutral White
CRI (Ra)	80
Colour Variation Initial (SDCM)	SDCM3
Beam Angle (°)	90
Distribution type	Symmetric
Glare control	< 19
Photobiological Risk Group	RG0

Electrical data

Total power consumption (W)	36
Primary Supply/Product voltage - min (V)	220.0
Primary Supply/Product voltage - max (V)	240.0
Lamp power factor	0.95
THD (at 230 V, 50 Hz, full load, at 100% dimming level) ≤ xx.x %	10
Electrical protection	Class II
Control gear required	Yes
Control gear type	LED driver constant current
No. Of switching cycles before premature failures	>25000
Dimmable	Yes
Dimming method	SylSmart Connected (SSA)
Drive current (mA)	680
Inrush Current (A)	20
Inrush Duration (µs)	25
Energy Efficiency Class (A->G) of contained light source	D
Nominal Frequency (Hz)	50/60Hz
LED Flickering Rate	Ultra low (5% or less)
Max. products per 10A C Breaker	57
Max. products per 13A C Breaker	72
Max. products per 16A C Breaker	94
Max. products per 20A C Breaker	114
Max. products per 10A B Breaker	35
Max. products per 13A B Breaker	43
Max. products per 16A B Breaker	55
Max. products per 20A B Breaker	69
Connectable conductor cross section - Max (mm ²)	1.5

START Panel UGR19 1200x300 3800Lm 840 SSA01D

Item No: 0042166

SYLVANIA

Lifetime data

Lifespan L70 B50	100000
Lifespan L70 B20	100000
Lifespan L70 B10	100000
Lifespan L80 B50	77000
Lifespan L80 B20	71000
Lifespan L80 B10	68000
Lifespan L90 B50	37000
Lifespan L90 B20	34000
Lifespan L90 B10	33000

Physical data

Housing colour	RAL 9003 - Signal white
IP rating	IP40/20
IK rating	IK03
Diffuser finish	Prismatic
Diffuser material	Other
Nominal Product Length (mm)	1195
Nominal Product Width (mm)	295
Nominal Product Height (mm)	26
Weight (kg)	1.77

Packaging

Product EAN number	5410288421667
Packaging single length / height (cm)	62.5
Packaging single width (cm)	71.0
Packaging single depth (cm)	3.8
DUN14 (inner)	15410288421664
Units per outer package	4
Packaging outer length / height (cm)	76.0
Packaging outer width (cm)	67.5
Packaging outer depth (cm)	17.0

Safety data

Glow Wire Test (°C)	650
Optimal operating condition (°C)	-10-45