

START Surface IP44 520lm 830/840 DualTone

Item No: 0043425

SYLVANIA

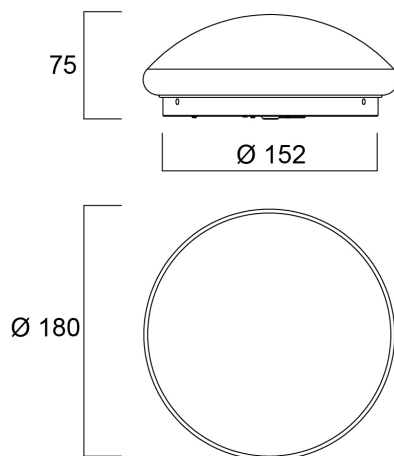
STARTTM



Ceiling / wall luminaire with integrated LED. Perfect solution for hallways, circulation spaces or foyer. Even and uniform light distribution with a halo lighting effect on the wall surface. Body Size diameter 180mm. Besa mounting box compatible, hole distance 51mm. DualTone functionality enables switch between 3000K and 4000K colour temperatures. Power 6W, output 520 lumens (4000K). Non-dimmable. IK03, IP44. Low maintenance with lifespan 90,000 hours L70:B50.

Technical Assets

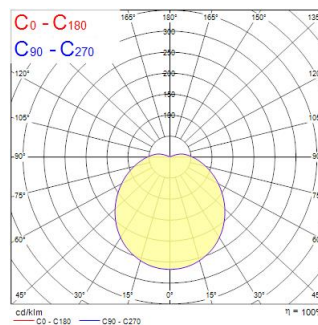
Dimensions (mm)



Photometrics

Distance [m]	Cone diameter [m]	Beam diameter [m]	Beam diameter [ft]	Illuminance [lx]
0.5	1.76	5.77'	18.9'	54
1.0	3.52	11.54'	37.8'	13
1.5	5.28	17.31'	56.8'	6
2.0	7.04	23.08'	75.7'	3
2.5	8.80	28.85'	94.6'	2
3.0	10.56	34.62'	113.5'	1

Distance [m] Cone diameter [m] Illuminance [lx]
 — C0 - C180 (Half beam angle: 120.8°)



START Surface IP44 520lm 830/840 DualTone

Item No: 0043425

SYLVANIA

General data

Product name	START Surface IP44 520lm 830/840 DualTone
Technology	LED
Cap/Base	N/A
Housing	Steel
Mount	Ceiling surface mounting
Built in presence detector	NONE
General application	Hospitality
Operating temperature range (°C)	-20°C...+40°C
Performance ambient temperature Tq (°C)	25
Virtual assistant compatibility	N/A
ETIM Class	EC002892
Warranty	3 years

Optical data

Fixture luminous flux (lm)	520
Luminaire efficacy (lm/W)	85
Light colour	Warm White or Neutral White
CRI (Ra)	80
Colour Variation Initial (SDCM)	SDCM6
Beam Angle (°)	120
Distribution type	Diffuse
Photobiological Risk Group	RG0

Electrical data

Total power consumption (W)	6
Primary Supply/Product voltage - min (V)	220
Primary Supply/Product voltage - max (V)	240
Lamp power factor	0.8
THD (at 230 V, 50 Hz, full load, at 100% dimming level) ≤ xx.x %	75
Electrical protection	Class I
Control gear type	LED driver constant current
Dimmable	No
Dimming method	N/A
Drive current (mA)	19
Inrush Current (A)	0.5
Inrush Duration (µs)	30
Energy Efficiency Class (A->G) of contained light source	E
Nominal Frequency (Hz)	50/60Hz
LED Flickering Rate	High (>40%)
Max. products per 10A C Breaker	60
Max. products per 13A C Breaker	78
Max. products per 16A C Breaker	96
Max. products per 20A C Breaker	120
Max. products per 10A B Breaker	36
Max. products per 13A B Breaker	47
Max. products per 16A B Breaker	58
Max. products per 20A B Breaker	72
Connectable conductor cross section - Max (mm ²)	2.5

Lifetime data

Lifespan L70 B50	90000
Lifespan L80 B50	85000
Lifespan L90 B50	41000

START Surface IP44 520lm 830/840 DualTone

Item No: 0043425



Physical data

Housing colour	White
IP rating	IP44
IK rating	IK03
Diffuser finish	Opal
Diffuser material	Polypropylene
Nominal Product Height (mm)	75
Nominal Product Diameter (mm)	180
Weight (kg)	0.17

Packaging

Product EAN number	5410288434254
Packaging single length / height (cm)	18.2
Packaging single width (cm)	7.8
Packaging single depth (cm)	18.2
DUN14 (inner)	15410288434251
Units per outer package	6
Packaging outer length / height (cm)	51.6
Packaging outer width (cm)	21.5
Packaging outer depth (cm)	22.0

Safety data

Glow Wire Test (°C)	650
Optimal operating condition (°C)	-20-40