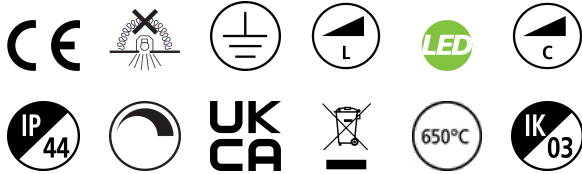


START Surface IP44 2900lm 830/840 DualTone DIM

Item No: 0043429

SYLVANIA

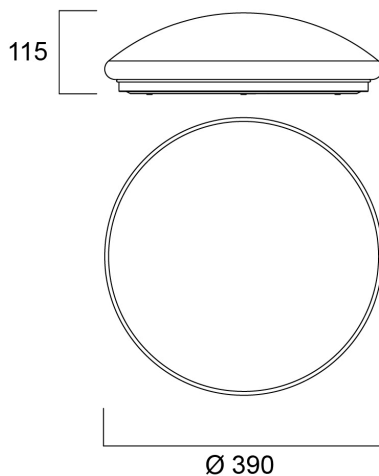
STARTTM



Ceiling / wall luminaire with integrated LED. Perfect solution for hallways, circulation spaces or foyer. Even and uniform light distribution with a halo lighting effect on the wall surface. Body Size diameter 390mm. Besa mounting box compatible, hole distance 51 & 78mm. DualTone functionality enables switch between 3000K and 4000K colour temperatures. Power 32W, output 2900 lumens (4000K). Dimmable, leading/trailing edge. IK03, IP44. Low maintenance with lifespan 90,000 hours L70:B50.

Technical Assets

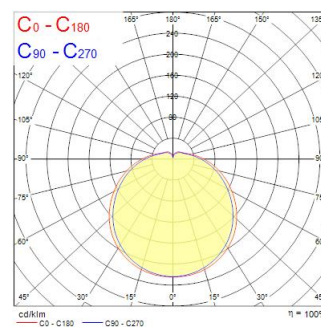
Dimensions (mm)



Photometrics

Distance [m]	Cone diameter [m]	Beam diameter [m]	Beam diameter [in]	Illuminance [lx]
0.5	2.02 2.38	Ø171 Ø190	6.73" 7.50"	2274 100
1.0	4.05 4.76	Ø342 Ø380	13.43" 15.00"	569 28
1.5	6.07 7.17	Ø513 Ø570	20.14" 22.50"	384 11
2.0	8.09 9.56	Ø684 Ø760	27.28" 30.00"	286 6
2.5	10.12 11.95	Ø855 Ø950	33.75" 37.50"	228 4
3.0	12.14 14.34	Ø1026 Ø1140	40.23" 45.00"	182 3

Distance [m] Cone diameter [m] Illuminance [lx]
 — C0 - C180 (Half beam angle: 134.6°)
 — C90 - C270 (Half beam angle: 127.4°)



START Surface IP44 2900lm 830/840 DualTone DIM

Item No: 0043429

SYLVANIA

General data

Product name	START Surface IP44 2900lm 830/840 DualTone DIM
Technology	LED
Cap/Base	N/A
Housing	Steel
Mount	Ceiling surface mounting
Built in presence detector	NONE
General application	Hospitality
Operating temperature range (°C)	-20°C...+40°C
Performance ambient temperature Tq (°C)	25
Virtual assistant compatibility	N/A
ETIM Class	EC002892
Warranty	3 years

Optical data

Fixture luminous flux (lm)	2900
Luminaire efficacy (lm/W)	87
Light colour	Warm White or Neutral White
CRI (Ra)	80
Colour Variation Initial (SDCM)	SDCM6
Beam Angle (°)	120
Distribution type	Diffuse
Photobiological Risk Group	RG0

Electrical data

Total power consumption (W)	32
Primary Supply/Product voltage - min (V)	220
Primary Supply/Product voltage - max (V)	240
Lamp power factor	0.9
THD (at 230 V, 50 Hz, full load, at 100% dimming level) ≤ xx.x %	20
Electrical protection	Class I
Control gear type	LED driver constant current
Dimmable	Yes
Dimming method	Mains: leading / trailing edge
Drive current (mA)	168
Inrush Current (A)	5
Inrush Duration (µs)	100
Energy Efficiency Class (A->G) of contained light source	E
Nominal Frequency (Hz)	50Hz
LED Flickering Rate	Medium (21% - 40%)
Max. products per 10A C Breaker	6
Max. products per 13A C Breaker	8
Max. products per 16A C Breaker	10
Max. products per 20A C Breaker	12
Max. products per 10A B Breaker	4
Max. products per 13A B Breaker	5
Max. products per 16A B Breaker	6
Max. products per 20A B Breaker	7
Connectable conductor cross section - Max (mm ²)	2.5

Lifetime data

Lifespan L70 B50	90000
Lifespan L80 B50	90000
Lifespan L90 B50	50000

START Surface IP44 2900lm 830/840 DualTone DIM

Item No: 0043429

SYLVANIA

Physical data

Housing colour	White
IP rating	IP44
IK rating	IK03
Diffuser finish	Opal
Diffuser material	Polypropylene
Nominal Product Height (mm)	115
Nominal Product Diameter (mm)	390
Weight (kg)	0.985

Packaging

Product EAN number	5410288434292
Packaging single length / height (cm)	42.4
Packaging single width (cm)	12.8
Packaging single depth (cm)	42.7
DUN14 (inner)	15410288434299
Units per outer package	5
Packaging outer length / height (cm)	66.5
Packaging outer width (cm)	43.7
Packaging outer depth (cm)	44.5

Safety data

Glow Wire Test (°C)	650
Optimal operating condition (°C)	-20-40