

# SYLCIRCLE IP54 2050LM 830/840 DUALTONE

Item No: 0043499

**SYLVANIA**

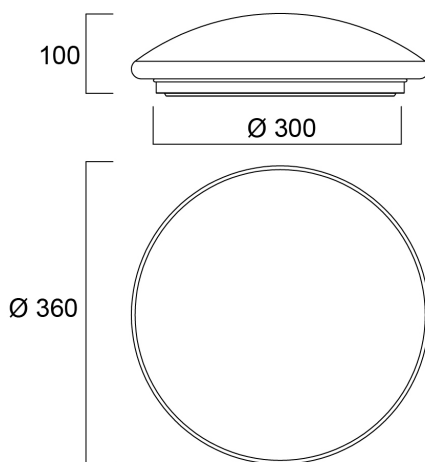
YourHome™



Ceiling / wall luminaire with integrated LED. Perfect solution for hallways, circulation spaces or foyer. Even and uniform light distribution with a halo lighting effect on the wall surface. Body Size diameter 360mm. Besa mounting box compatible, hole distance 51mm. DualTone functionality enables switch between 3000K and 4000K colour temperatures. Power 24W, output 2050 lumens (4000k). Non-dimmable. IK03, IP44. Low maintenance with 30,000 hours LED life expectancy.

## Technical Assets

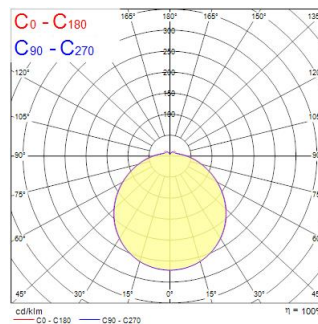
### Dimensions (mm)



### Photometrics

Distance [m]	Cone diameter [m]	Illuminance [lx]
0.5	1.66 1.70	2227 154 144
1.0	3.32 3.41	557 88 81
1.5	4.97 5.11	247 17 16
2.0	6.63 6.82	139 10 9
2.5	8.28 8.52	89 6 6
3.0	9.95 10.23	62 4 4

Distance [m]    Cone diameter [m]    Illuminance [lx]  
 — C0 - C180 (Half beam angle: 113.2°)  
 — C90 - C270 (Half beam angle: 117.3°)



# SYLCIRCLE IP54 2050LM 830/840 DUALTONE

Item No: 0043499

**SYLVANIA**

## General data

Product name	SYLCIRCLE IP54 2050LM 830/840 DUALTONE
Technology	LED
Cap/Base	N/A
Housing	Steel
Mount	Ceiling surface mounting
Built in presence detector	NONE
General application	Hospitality
Operating temperature range (°C)	-20°C...+40°C
Performance ambient temperature Tq (°C)	25
Virtual assistant compatibility	N/A
ETIM Class	EC002892
Warranty	3 years

## Optical data

Fixture luminous flux (lm)	2050
Luminaire efficacy (lm/W)	85
Light colour	Amber White or Neutral White
CRI (Ra)	80
Colour Variation Initial (SDCM)	SDCM6
Beam Angle (°)	120
Distribution type	Diffuse
Photobiological Risk Group	RG0

## Electrical data

Total power consumption (W)	24
Primary Supply/Product voltage - min (V)	220
Primary Supply/Product voltage - max (V)	240
Lamp power factor	0.8
THD (at 230 V, 50 Hz, full load, at 100% dimming level) ≤ xx.x %	70
Electrical protection	Class I
Control gear type	LED driver constant current
Dimmable	No
Dimming method	N/A
Drive current (mA)	75
Inrush Current (A)	0.5
Inrush Duration (µs)	30
Energy Efficiency Class (A->G) of contained light source	E
Nominal Frequency (Hz)	50/60Hz
LED Flickering Rate	High (>40%)
Max. products per 10A C Breaker	30
Max. products per 13A C Breaker	39
Max. products per 16A C Breaker	48
Max. products per 20A C Breaker	60
Max. products per 10A B Breaker	30
Max. products per 13A B Breaker	39
Max. products per 16A B Breaker	48
Max. products per 20A B Breaker	60
Connectable conductor cross section - Min (mm <sup>2</sup> )	1
Connectable conductor cross section - Max (mm <sup>2</sup> )	2.5

## Lifetime data

Lifespan L70 B50	30000
------------------	-------

# SYLCIRCLE IP54 2050LM 830/840 DUALTONE

Item No: 0043499



## Physical data

Housing colour	White
IP rating	IP54
IK rating	IK03
Diffuser finish	Opal
Diffuser material	Polypropylene
Nominal Product Height (mm)	100
Nominal Product Diameter (mm)	360
Weight (kg)	0.52

## Packaging

Product EAN number	5410288434995
Packaging single length / height (cm)	39.0
Packaging single width (cm)	10.5
Packaging single depth (cm)	39.0
DUN14 (inner)	15410288434992
Units per outer package	6
Packaging outer length / height (cm)	65.6
Packaging outer width (cm)	40.0
Packaging outer depth (cm)	40.5

## Safety data

Glow Wire Test (°C)	650
Optimal operating condition (°C)	-20-40