

SylFlood IP54 PIR 1850LM 830 White

Item No: 0047120

SYLVANIA

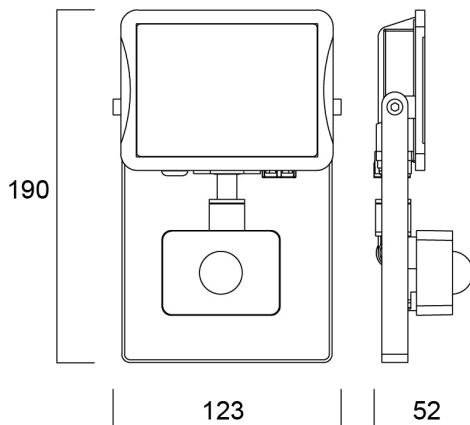
YourHome™



The streamlined, durable, lightweight die-cast aluminium body makes SylFlood a perfect choice for building facades, car parks, garages and construction areas. The product includes 1 m pre-wired stripped cable and fitting bracket for quick and easy installation and the universal mounting bracket allows wall or surface mounting with the possibility of vertical tilting. White (RAL9003) housing, white reflector, 1850 lm, 19 W, 97 lm/W, 3000K, non dimmable, CRI>80, IP54, IK06 - fixture, IK05 - sensor, Class I, lifespan L70:B50: 90000 hrs, 190 x 123 x 52 mm (L x W x H). Weight: 0.475kg. PIR sensor included.

Technical Assets

Dimensions (mm)

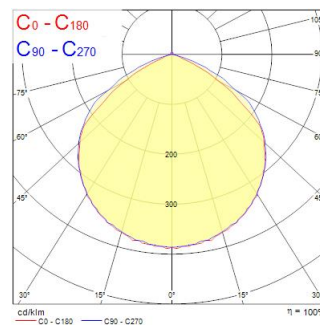


Photometrics

Distance [m]	Cone diameter [m]	Illuminance [lx]
0.5	1.51 1.34	2380 242 211
1.0	3.01 2.67	714 61 58
1.5	4.52 4.01	317 27 26
2.0	6.02 5.35	179 16 16
2.5	7.53 6.68	114 11 11
3.0	9.03 8.02	79 7 7

Distance [m] Cone diameter [m] Illuminance [lx]

— C0 - C180 (Half beam angle: 156.4°)
— C90 - C270 (Half beam angle: 112.8°)



SylFlood IP54 PIR 1850LM 830 White

Item No: 0047120

SYLVANIA

General data

Product name	SylFlood IP54 PIR 1850LM 830 White
Technology	LED
Cap/Base	N/A
General application	Retail
Operating temperature range (°C)	-20°C...+40°C
Performance ambient temperature Tq (°C)	25
ETIM Class	EC001744
Warranty	3 years

Optical data

Fixture luminous flux (lm)	1850
Luminaire efficacy (lm/W)	97
Correlated colour temperature (k)	3000
Light colour	Warm White
CRI (Ra)	80
Colour Variation Initial (SDCM)	SDCM5
Beam Angle (°)	110
Photobiological Risk Group	RG1

Electrical data

Total power consumption (W)	19.0
Primary Supply/Product voltage - min (V)	220
Primary Supply/Product voltage - max (V)	240
Lamp power factor	0.9
Electrical protection	Class I
Dimmable	No
Dimming method	N/A
Drive current (mA)	38
Inrush Current (A)	19.8
Inrush Duration (µs)	200
Energy Efficiency Class (A->G) of contained light source	E
Nominal Frequency (Hz)	50/60Hz
LED Flickering Rate	Low (6% - 20%)
Max. products per 10A C Breaker	15
Max. products per 13A C Breaker	21
Max. products per 16A C Breaker	25
Max. products per 20A C Breaker	32
Max. products per 10A B Breaker	10
Max. products per 13A B Breaker	12
Max. products per 16A B Breaker	15
Max. products per 20A B Breaker	19

Lifetime data

Lifespan L70 B50	90000
Lifespan L80 B50	85000
Lifespan L80 B20	54000

SylFlood IP54 PIR 1850LM 830 White

Item No: 0047120



Physical data

Housing colour	White
IP rating	IP54
IK rating	IK06
IK rating of sensor	IK05
Nominal Product Length (mm)	190
Nominal Product Width (mm)	123
Nominal Product Height (mm)	52
Weight (kg)	0.475

Packaging

Product EAN number	5410288471204
Packaging single length / height (cm)	13.0
Packaging single width (cm)	6.0
Packaging single depth (cm)	20.0
DUN14 (inner)	15410288471201
Units per outer package	6
Packaging outer length / height (cm)	39.0
Packaging outer width (cm)	14.5
Packaging outer depth (cm)	22.0

Safety data

Glow Wire Test (°C)	650
Optimal operating condition (°C)	-20-40