

START SURFACE IP66 350MM GRILLE WHT

Item No: 0049034

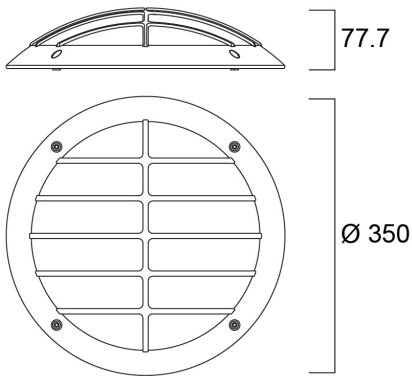
SYLVANIA



Grille accessory for Start Surface IP66 350mm diameter - white colour

Technical Assets

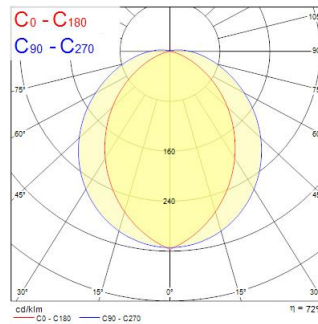
Dimensions (mm)



Photometrics

Distance [m]	Core diameter [m]	Illuminance [lx]
0.5	1.49 0.83	507 E/C90 562" E/C00 397"
1.0	2.99 1.66	233 E/C90 562" E/C00 397"
1.5	4.48 2.49	133 E/C90 562" E/C00 397"
2.0	5.98 3.32	80 E/C90 562" E/C00 397"
2.5	7.47 4.15	51 E/C90 562" E/C00 397"
3.0	8.96 4.98	38 E/C90 562" E/C00 397"

Distance [m] Core diameter [m] Illuminance [lx]
 — C0 - C180 (Half beam angle: 75.4°)
 — C90 - C270 (Half beam angle: 112.4°)



START SURFACE IP66 350MM GRILLE WHT

Item No: 0049034

SYLVANIA

General data

Product name	START SURFACE IP66 350MM GRILLE WHT
Technology	Non - Electrical Device
Type of accessory	Decor element
Housing	PC Polycarbonate
Environment	Indoor, Outdoor
General application	Hospitality
ETIM Class	EC002557
E-number FI	4579488
Warranty	5 years

Electrical data

Emergency type	
----------------	--

Physical data

Housing colour	RAL 9003 - Signal white
Nominal Product Diameter (mm)	350
Weight (kg)	0.25

Packaging

Product EAN number	5410288490342
Packaging single length / height (cm)	35.0
Packaging single width (cm)	35.0
Packaging single depth (cm)	0.8
DUN14 (inner)	15410288490349
Units per outer package	1
Packaging outer length / height (cm)	35.0
Packaging outer width (cm)	35.0
Packaging outer depth (cm)	0.8

Safety data

Glow Wire Test (°C)	650
---------------------	-----