

START SURFACE IP66 2400LM 830 IK10 DALI BLK

Item No: 0049255

SYLVANIA

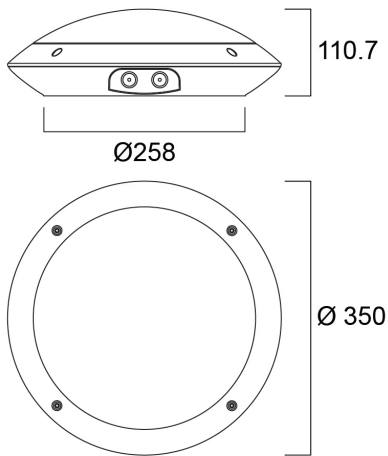
STARTTM



LED exterior surface mounted luminaire, 350mm diameter, 2400lm as max. lumen output, 26W max. power consumption, 92lm/W efficacy, 3000K color temperature, CRI80, IP66, IK10, 60,000 hours (L70), black housing, vandal resistant. DALI and DALI 2 dimming compatibility, supplied with anti-theft screws

Technical Assets

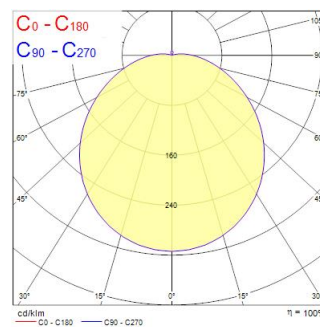
Dimensions (mm)



Photometrics

Distance [m]	Cone diameter [m]	E10%	E50%	E90%	Illuminance [lx]
0.5	1.52	5171	500%	388%	287
1.0	3.03	5171	500%	388%	79
1.5	4.55	5171	500%	388%	34
2.0	6.07	5171	500%	388%	19
2.5	7.58	5171	500%	388%	13
3.0	9.10	5171	500%	388%	9

Distance [m] Cone diameter [m]
 — C0 - C180 (Half beam angle: 113.2°)
 — Illuminance [lx]



START SURFACE IP66 2400LM 830 IK10 DALI BLK

Item No: 0049255

SYLVANIA

General data

Product name	START SURFACE IP66 2400LM 830 IK10 DALI BLK
Technology	LED
Cap/Base	N/A
Housing	PC Polycarbonate
Mount	Ceiling surface mounting, Wall surface mounted
Built in presence detector	NONE
Environment	Indoor, Outdoor
General application	Hospitality
Operating temperature range (°C)	0°C...+40°C
Performance ambient temperature Tq (°C)	25
ETIM Class	EC002892
E-number FI	4579493
Warranty	5 years

Optical data

Fixture luminous flux (lm)	2400
Luminaire efficacy (lm/W)	92
LOR (%)	100
Correlated colour temperature (k)	3000
Colour Code	830
Light colour	Warm White
CRI (Ra)	80
Colour Variation Initial (SDCM)	SDCM6
Adjustable chromaticity	N
Beam Angle (°)	120
Glare control	< 26
Photobiological Risk Group	RG0
Lumen maintenance at end of nominal life (%)	70

Electrical data

Total power consumption (W)	26
Primary Supply/Product voltage - min (V)	198.0
Primary Supply/Product voltage - max (V)	264.0
Lamp power factor	1
Electrical protection	Class II
Control gear required	No
Control gear type	LED driver constant current
Control gear mounting	Integrated
Dimmable	Yes
Dimming method	DALI-2
Minimum dimming level (%)	1
Drive current (mA)	700
Inrush Current (A)	5
Inrush Duration (µs)	50
Energy Efficiency Class (A->G) of contained light source	E
Nominal Frequency (Hz)	50/60Hz
LED Flickering Rate	Ultra low (5% or less)
Max. products per 10A C Breaker	52
Max. products per 13A C Breaker	68
Max. products per 16A C Breaker	85
Max. products per 20A C Breaker	104
Max. products per 10A B Breaker	31
Max. products per 13A B Breaker	40
Max. products per 16A B Breaker	50
Max. products per 20A B Breaker	62
Connectable conductor cross section - Min (mm ²)	0.75
Connectable conductor cross section - Max (mm ²)	2.5

START SURFACE IP66 2400LM 830 IK10 DALI BLK

Item No: 0049255

SYLVANIA

Lifetime data

Lifespan L70 B50	60000
Lifespan L70 B10	60000
Lifespan L80 B50	60000
Lifespan L80 B10	60000
Lifespan L90 B50	42000
Lifespan L90 B10	35000

Physical data

Housing colour	RAL 9011 - Graphite black
IP rating	IP66
IK rating	IK10
Diffuser finish	Opal
Diffuser material	PC Polycarbonate
Nominal Product Height (mm)	111
Nominal Product Diameter (mm)	350
Weight (kg)	1.2

Packaging

Product EAN number	5410288492551
Packaging single length / height (cm)	40.0
Packaging single width (cm)	40.0
Packaging single depth (cm)	11.0
DUN14 (inner)	05410288492551
Units per outer package	1
Packaging outer length / height (cm)	40.0
Packaging outer width (cm)	40.0
Packaging outer depth (cm)	11.0