

# START Downlight 5in1 65-260 2300LM

Item No: 0053151

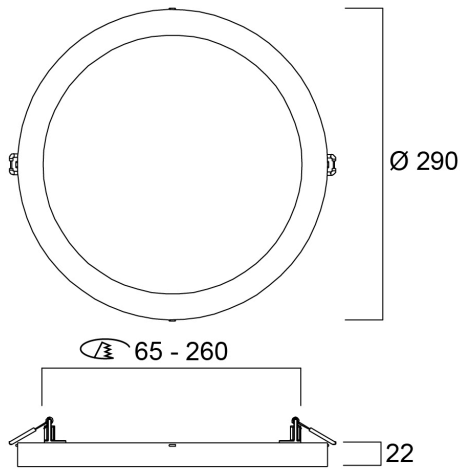
**SYLVANIA**



START Downlight 5in1 is an integrated LED recessed / surface mounted downlight with built in non dimmable driver. Colour temperature (3000K, 4000K and 6500K) can be adjusted by a 3-way switch located on the back of the fixture. Adaptability to various cut-outs from 65mm to 260mm

## Technical Assets

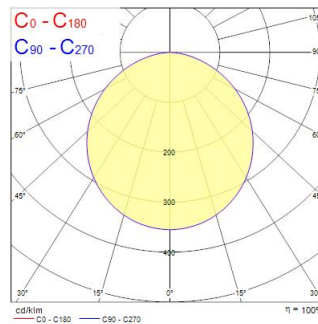
### Dimensions (mm)



### Photometrics

Distance [m]	Cone diameter [m]	Beam diameter [m]	Beam angle [°]	Illuminance [lx]
0.5	1.47	0.071	88.1°	320
1.0	2.93	0.142	88.1°	81
1.5	4.40	0.213	88.1°	36
2.0	5.86	0.284	88.1°	16
2.5	7.33	0.355	88.1°	10
3.0	8.80	0.426	88.1°	6

Distance [m] Cone diameter [m] Illuminance [lx]  
C0 - C180 (Half beam angle: 111.4°)



# START Downlight 5in1 65-260 2300LM

Item No: 0053151

**SYLVANIA**

## General data

Product name	START Downlight 5in1 65-260 2300LM
Technology	LED
Cap/Base	N/A
Housing	PC Polycarbonate
Mount	Ceiling recessed mounting, Ceiling surface mounting
Built in presence detector	NONE
General application	Residential & Consumer
Operating temperature range (°C)	-20°C...+40°C
Virtual assistant compatibility	N/A
ETIM Class	EC001744
Warranty	3 years

## Optical data

Fixture luminous flux (lm)	2300
Luminaire efficacy (lm/W)	100
Light colour	N/A
CRI (Ra)	80
Colour Variation Initial (SDCM)	SDCM6
Beam Angle (°)	110
Distribution type	Symmetric
Glare control	< 26
Photobiological Risk Group	RG0

## Electrical data

Total power consumption (W)	23
Primary Supply/Product voltage - min (V)	220.0
Primary Supply/Product voltage - max (V)	240.0
Lamp power factor	0.7
THD (at 230 V, 50 Hz, full load, at 100% dimming level) ≤ xx.x %	85.0
Electrical protection	Class II
Control gear type	LED driver constant current
Dimmable	No
Dimming method	N/A
Drive current (mA)	73
Inrush Current (A)	3
Inrush Duration (µs)	100
Energy Efficiency Class (A->G) of contained light source	E
Nominal Frequency (Hz)	50/60Hz
LED Flickering Rate	Low (6% - 20%)
Max. products per 16A C Breaker	39
Max. products per 16A B Breaker	23
Connectable conductor cross section - Min (mm <sup>2</sup> )	0.75
Connectable conductor cross section - Max (mm <sup>2</sup> )	1.5

## Lifetime data

Lifespan L70 B50	55000
Lifespan L80 B10	30000

# START Downlight 5in1 65-260 2300LM

Item No: 0053151

**SYLVANIA**

## Physical data

Housing colour	RAL 9003 - Signal white
IP rating	IP20
IK rating	IK05
Diffuser finish	Opal
Diffuser material	PC Polycarbonate
Reflector finish	Not Applicable
Nominal Product Height (mm)	22
Nominal Product Diameter (mm)	290
Weight (kg)	0.633

## Packaging

Product EAN number	5410288531519
Packaging single length / height (cm)	30.6
Packaging single width (cm)	4.3
Packaging single depth (cm)	29.8
DUN14 (inner)	15410288531516
Units per outer package	8
Packaging outer length / height (cm)	36.5
Packaging outer width (cm)	32.0
Packaging outer depth (cm)	32.3

## Safety data

Glow Wire Test (°C)	650
Optimal operating condition (°C)	-20-40