

# START eco Downlight 145 950lm 840

Item No: 0053915

**SYLVANIA**

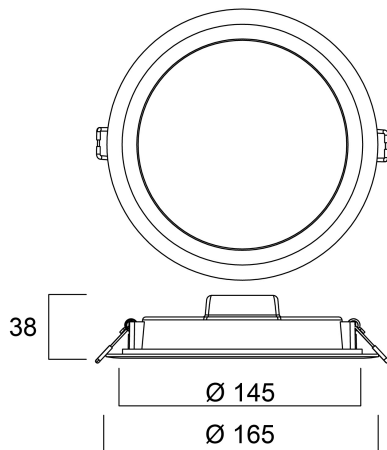
**START**<sup>TM</sup>



START eco Downlight is an integrated LED recessed downlight with built-in non dimmable driver; Loop in loop out connector allows for quick installation; 12W; 950Lm; 79Lm/W; 4000K.

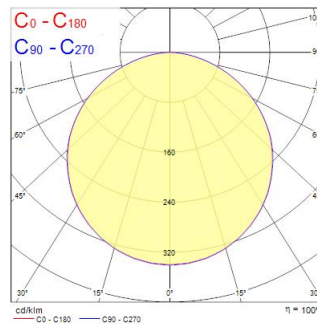
## Technical Assets

### Dimensions (mm)



### Photometrics

Distance [m]	Cone diameter [m]	Beam diameter [m]	Beam angle [°]	Illuminance [lx]
0.5	1.56	0.78	90°	1207
	1.56	1.56	180°	302
	1.56	1.56	114.67°	101
1.0	3.12	1.56	90°	302
	3.12	3.12	180°	75
	3.12	3.12	114.67°	25
1.5	4.67	2.34	90°	144
	4.67	4.67	180°	36
	4.67	4.67	114.67°	11
2.0	6.22	3.12	90°	61
	6.22	6.22	180°	15
	6.22	6.22	114.67°	5
2.5	7.78	3.91	90°	32
	7.78	7.78	180°	8
	7.78	7.78	114.67°	4
3.0	9.33	4.70	90°	18
	9.33	9.33	180°	4
	9.33	9.33	114.67°	2



# START eco Downlight 145 950lm 840

Item No: 0053915

**SYLVANIA**

## General data

Product name	START eco Downlight 145 950lm 840
Technology	LED
Cap/Base	N/A
Housing	PC Polycarbonate
Mount	Ceiling recessed mounting
General application	Retail
Operating temperature range (°C)	-20°C...+40°C
Performance ambient temperature Tq (°C)	25
ETIM Class	EC001744
Warranty	3 years

## Optical data

Fixture luminous flux (lm)	950
Luminaire efficacy (lm/W)	79
Correlated colour temperature (k)	4000
Light colour	Neutral White
CRI (Ra)	80
Colour Variation Initial (SDCM)	SDCM6
Beam Angle (°)	110
Distribution type	Symmetric
Glare control	< 28
Photobiological Risk Group	RG0

## Electrical data

Total power consumption (W)	12
Primary Supply/Product voltage - min (V)	220
Primary Supply/Product voltage - max (V)	240
Lamp power factor	0.5
THD (at 230 V, 50 Hz, full load, at 100% dimming level) ≤ xx.x %	115.0
Electrical protection	Class II
Control gear required	No
Dimmable	No
Dimming method	N/A
Drive current (mA)	85
Inrush Current (A)	9
Inrush Duration (µs)	180
Energy Efficiency Class (A->G) of contained light source	F
Nominal Frequency (Hz)	50/60Hz
LED Flickering Rate	Medium (21% - 40%)
Max. products per 10A C Breaker	109
Max. products per 13A C Breaker	142
Max. products per 16A C Breaker	175
Max. products per 20A C Breaker	220
Max. products per 10A B Breaker	64
Max. products per 13A B Breaker	84
Max. products per 16A B Breaker	104
Max. products per 20A B Breaker	131

## Lifetime data

Lifespan L70 B50	30000
------------------	-------

# START eco Downlight 145 950lm 840

Item No: 0053915

**SYLVANIA**

## Physical data

Housing colour	RAL 9003 - Signal white
IP rating	IP20
IK rating	IK02
Diffuser finish	Opal
Diffuser material	PC Polycarbonate
Nominal Product Height (mm)	38
Nominal Product Diameter (mm)	165
Weight (kg)	0.184

## Packaging

Product EAN number	5410288539157
Packaging single length / height (cm)	19.5
Packaging single width (cm)	4.5
Packaging single depth (cm)	16.5
DUN14 (inner)	15410288539154
Units per outer package	12
Packaging outer length / height (cm)	35.4
Packaging outer width (cm)	21.3
Packaging outer depth (cm)	30.3

## Safety data

Glow Wire Test (°C)	650
Optimal operating condition (°C)	-20-40