

Sylflat 205 IP44 1550lm 830 DIM

Item No: 0053954

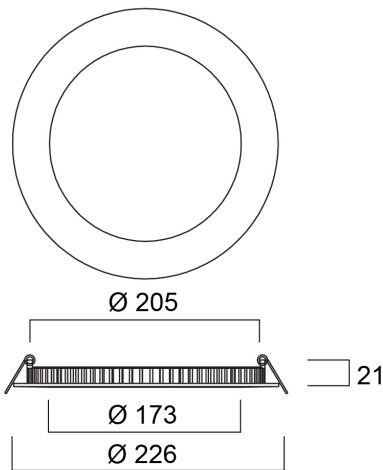
SYLVANIA



Sylflat DIM is an integrated LED recessed downlight with separated phase dimmable driver and loop in- out box, 17W; 1550Lm; 91Lm/W; 3000K; IP44 rated from the front; 50,000hrs (L70B50).

Technical Assets

Dimensions (mm)



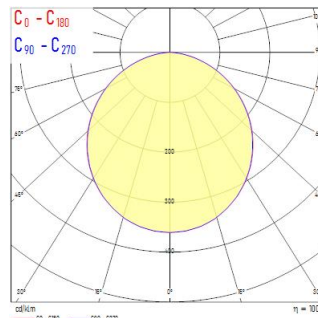
Photometrics

Distance [m]	Cone diameter [m]	Beam diameter [m]	Illuminance [lx]
0.5	1.43 1.41	Ø173 Ø173	2207 209
1.0	2.86 2.82	Ø346 Ø346	552 52
1.5	4.29 4.24	Ø519 Ø519	245 23
2.0	5.71 5.65	Ø692 Ø692	138 13
2.5	7.14 7.06	Ø865 Ø865	88 8
3.0	8.57 8.47	Ø1038 Ø1038	61 6

Distance [m] Cone diameter [m] Illuminance [lx]

— C0 - C180 (Half beam angle: 150.4°)

— C90 - C270 (Half beam angle: 110.0°)



Sylflat 205 IP44 1550lm 830 DIM

Item No: 0053954

SYLVANIA

General data

Product name	Sylflat 205 IP44 1550lm 830 DIM
Technology	LED
Housing	Aluminium
Mount	Ceiling recessed mounting
General application	Hospitality
Operating temperature range (°C)	-20°C...+40°C
Performance ambient temperature Tq (°C)	25
ETIM Class	EC001744
E-number FI	4278188
Warranty	5 years

Optical data

Fixture luminous flux (lm)	1550
Luminaire efficacy (lm/W)	91
Correlated colour temperature (k)	3000
Light colour	Warm White
CRI (Ra)	80
Colour Variation Initial (SDCM)	SDCM3
Beam Angle (°)	120
Distribution type	Symmetric
Glare control	< 28
Photobiological Risk Group	RG0

Electrical data

Total power consumption (W)	17
Primary Supply/Product voltage - min (V)	220
Primary Supply/Product voltage - max (V)	240
Lamp power factor	0.9
THD (at 230 V, 50 Hz, full load, at 100% dimming level) ≤ xx.x %	20.0
Electrical protection	Class II
Control gear required	No
Control gear type	LED driver constant current
Dimmable	Yes
Dimming method	Mains: leading / trailing edge
Drive current (mA)	450
Inrush Current (A)	4.16
Inrush Duration (µs)	112
Energy Efficiency Class (A->G) of contained light source	E
Nominal Frequency (Hz)	50Hz
LED Flickering Rate	Ultra low (5% or less)
Max. products per 10A C Breaker	67
Max. products per 13A C Breaker	87
Max. products per 16A C Breaker	107
Max. products per 20A C Breaker	133
Max. products per 10A B Breaker	67
Max. products per 13A B Breaker	87
Max. products per 16A B Breaker	107
Max. products per 20A B Breaker	133

Lifetime data

Lifespan L70 B50	60000
Lifespan L90 B10	23000

Sylflat 205 IP44 1550lm 830 DIM

Item No: 0053954



Physical data

Housing colour	RAL 9003 - Signal white
IP rating	IP44/20
IK rating	IK06
Diffuser finish	Opal
Diffuser material	PS Polystyrene
Nominal Product Height (mm)	21
Nominal Product Diameter (mm)	226
Weight (kg)	0.457

Packaging

Product EAN number	5410288539546
Packaging single length / height (cm)	27.5
Packaging single width (cm)	23.0
Packaging single depth (cm)	4.2
DUN14 (inner)	15410288539543
Units per outer package	10
Packaging outer length / height (cm)	47.5
Packaging outer width (cm)	23.0
Packaging outer depth (cm)	29.0

Safety data

Glow Wire Test (°C)	650
Optimal operating condition (°C)	-20-40