

Sylflat 205 IP44 2250lm 840 DIM

Item No: 0053957

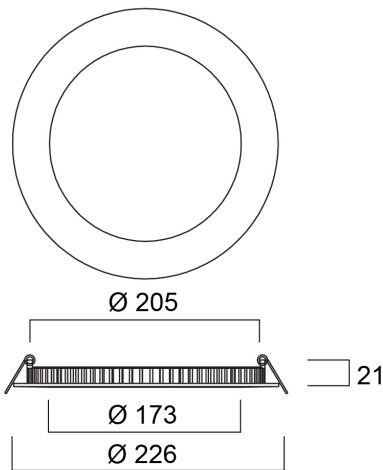
SYLVANIA



Sylflat DIM is an integrated LED recessed downlight with a separate phase dimmable driver and Loop in out box; 24W; 2250Lm; 103Lm/W; 4000K; IP44 rated from the front; 50,000hrs (L70B50).

Technical Assets

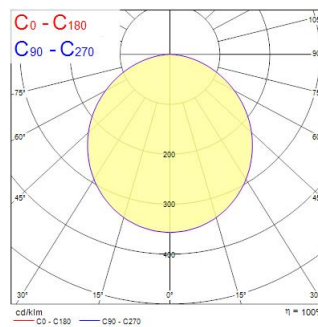
Dimensions (mm)



Photometrics

Distance [m]	Cone diameter [m]	Beam diameter [m]	Beam angle [°]	Illuminance [lx]
0.5	1.44	Ø173	88.2°	3205
1.0	2.88	Ø173	88.2°	801
1.5	4.32	Ø173	88.2°	336
2.0	5.76	Ø173	88.2°	201
2.5	7.19	Ø173	88.2°	133
3.0	8.63	Ø173	88.2°	89

Distance [m] Cone diameter [m] Beam diameter [m] Beam angle [°] Illuminance [lx]
 C0 - C180 (Half beam angle: 110.4°)



Sylflat 205 IP44 2250lm 840 DIM

Item No: 0053957

SYLVANIA

General data

Product name	Sylflat 205 IP44 2250lm 840 DIM
Technology	LED
Housing	Aluminium
Mount	Ceiling recessed mounting
General application	Hospitality
Operating temperature range (°C)	-20°C...+40°C
Performance ambient temperature Tq (°C)	25
ETIM Class	EC001744
E-number FI	4278196
Warranty	5 years

Optical data

Fixture luminous flux (lm)	2250
Luminaire efficacy (lm/W)	103
Correlated colour temperature (k)	4000
Light colour	Neutral White
CRI (Ra)	80
Colour Variation Initial (SDCM)	SDCM3
Beam Angle (°)	120
Distribution type	Symmetric
Glare control	< 28
Photobiological Risk Group	RG0

Electrical data

Total power consumption (W)	24
Primary Supply/Product voltage - min (V)	220
Primary Supply/Product voltage - max (V)	240
Lamp power factor	0.9
THD (at 230 V, 50 Hz, full load, at 100% dimming level) ≤ xx.x %	20.0
Electrical protection	Class II
Control gear required	No
Control gear type	LED driver constant current
Dimmable	Yes
Dimming method	Mains: leading / trailing edge
Drive current (mA)	600
Inrush Current (A)	4.16
Inrush Duration (µs)	112
Energy Efficiency Class (A->G) of contained light source	E
Nominal Frequency (Hz)	50Hz
LED Flickering Rate	Ultra low (5% or less)
Max. products per 10A C Breaker	51
Max. products per 13A C Breaker	67
Max. products per 16A C Breaker	82
Max. products per 20A C Breaker	103
Max. products per 10A B Breaker	51
Max. products per 13A B Breaker	67
Max. products per 16A B Breaker	82
Max. products per 20A B Breaker	103

Lifetime data

Lifespan L70 B50	60000
Lifespan L90 B10	23000

Sylflat 205 IP44 2250lm 840 DIM

Item No: 0053957



Physical data

Housing colour	RAL 9003 - Signal white
IP rating	IP44/20
IK rating	IK06
Diffuser finish	Opal
Diffuser material	PS Polystyrene
Nominal Product Height (mm)	21
Nominal Product Diameter (mm)	226
Weight (kg)	0.457

Packaging

Product EAN number	5410288539577
Packaging single length / height (cm)	27.5
Packaging single width (cm)	23.0
Packaging single depth (cm)	4.2
DUN14 (inner)	15410288539574
Units per outer package	10
Packaging outer length / height (cm)	47.5
Packaging outer width (cm)	23.0
Packaging outer depth (cm)	29.0

Safety data

Glow Wire Test (°C)	650
Optimal operating condition (°C)	-20-40