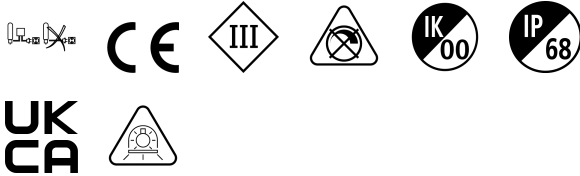


PAR56 SP LED White Superia Plus 3000lm

Item No: 0060651

SYLVANIA

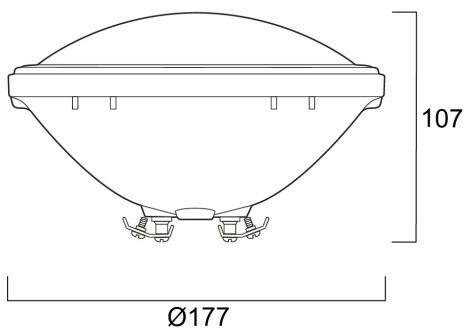


Sylvania's PAR56 LED light sources provide a top class and professional finish to pools and water features, - Unique single-point light source for improved visual appearance, with advanced fresnel lens optics which deliver impressive light and colour uniformity, - Full PPS (Polyphenylsulphide) plastic body, very resistant material for use in plastic and metal fixtures against corrosion by chlorinated and salt water, - Unique sealing method guarantees IP68 watertightness, - Low heat generation, - Remote control is an optional accessory. Lamps also function with ordinary switches, -Only for use with magnetic (not electronic) transformers, - European production delivers outstanding performance and quality

Technical Assets

Dimensions (mm)

Photometrics



PAR56 SP LED White Superia Plus 3000lm

Item No: 0060651

SYLVANIA

General data

Product name	PAR56 SP LED White Superia Plus 3000lm
Technology	LED
Watt (Rated) (W)	32.5
Cap/Base	N/A
Fixture rating	Enclosed
General application	Hospitality, Residential & Consumer, SPG
ETIM Class	EC001959
Warranty	3 years

Optical data

Useful luminous flux (Φ_{use})	3000
Correlated colour temperature (k)	6500
CRI (Ra)	80
Colour Variation Initial (SDCM)	SDCM6
Luminous Intensity (cd)	1250
Beam Angle (°)	95
Photobiological Risk Group	RG1

Electrical data

Power consumption (W)	32.5
Wattage (W)	32.5
Primary Supply/Product voltage - min (V)	12
Primary Supply/Product voltage - max (V)	12
Electrical protection	Class III
Control gear required	Yes
Dimmable	No
Dimming method	N/A
Lamp Energy Label (class)	F
Energy Efficiency Class (A->G) of contained light source	F
Nominal Frequency (Hz)	50Hz

Lifetime data

Lifespan L70 B50	25000
------------------	-------

Physical data

IP rating	IP68
IK rating	IK00
Nominal Product Height (mm)	106
Nominal Product Diameter (mm)	176
Weight (kg)	0.552

Packaging

Product EAN number	5410288606514
Packaging single length / height (cm)	15.0
Packaging single width (cm)	15.0
Packaging single depth (cm)	16.3
DUN14 (inner)	15410288606511
Units per outer package	6
Packaging outer length / height (cm)	46.5
Packaging outer width (cm)	31.5
Packaging outer depth (cm)	18.3

Safety data

Dry applications use only	No
---------------------------	----