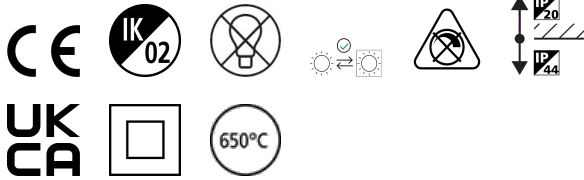


Inset Trend 75 SW SQ IP44 WH NO-LMP

Item No: 0084104

SYLVANIA

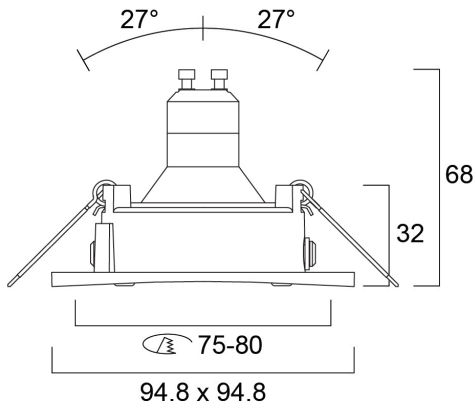
PROTM



INSET TREND 75 SW SQ IP44 WH NO-LMP is the recessed housing frame to use with RefLED GU10 spotlight lamp Ø50mm - GU10 spotlight not included. Aluminium body, round bezel ring in white finish, IP44 degree of protection, class II, Suitable for internal environment only.

Technical Assets

Dimensions (mm)



Photometrics

Inset Trend 75 SW SQ IP44 WH NO-LMP

Item No: 0084104

SYLVANIA

General data

Product name	Inset Trend 75 SW SQ IP44 WH NO-LMP
Technology	Light Source Not Integrated
Cap/Base	GU10
Housing	Aluminium
Mount	Ceiling recessed mounting
Built in presence detector	NONE
Environment	Indoor
General application	Hospitality, Residential & Consumer
Operating temperature range (°C)	-10°C...+40°C
Virtual assistant compatibility	N/A
ETIM Class	EC001744
E-number FI	4279667
Warranty	5 years

Optical data

Fixture luminous flux (lm)	1
Light colour	N/A
Colour Variation Initial (SDCM)	N/A
Distribution type	Symmetric
Photobiological Risk Group	Not applicable

Electrical data

Light source included	Fixture without Lightsource
Emergency type	
Total power consumption (W)	0.1
Supply current (A)	0.001
Primary Supply/Product voltage - min (V)	220.0
Primary Supply/Product voltage - max (V)	240.0
THD (at 230 V, 50 Hz, full load, at 100% dimming level) ≤ xx.x %	1
Electrical protection	Class II
Control gear required	No
Control gear type	Not required
Dimmable	No
Dimming method	N/A
Nominal Frequency (Hz)	50/60Hz
Max. products per 10A C Breaker	20
Max. products per 16A C Breaker	30
Connectable conductor cross section - Max (mm ²)	1.5

Physical data

Housing colour	White
IP rating	IP44/20
IK rating	IK02
Diffuser finish	Other
Diffuser material	None
Reflector finish	Not Applicable
Nominal Product Length (mm)	95
Nominal Product Width (mm)	95
Nominal Product Height (mm)	100
Built-in diameter (mm)	75
Weight (kg)	0.18
Recessed Depth (mm)	115

Inset Trend 75 SW SQ IP44 WH NO-LMP

Item No: 0084104

SYLVANIA

Packaging

Product EAN number	5410288841045
Packaging single length / height (cm)	13.0
Packaging single width (cm)	10.0
Packaging single depth (cm)	9.0
DUN14 (inner)	15410288841042
Units per outer package	30
Packaging outer length / height (cm)	52.5
Packaging outer width (cm)	27.5
Packaging outer depth (cm)	28.0

Safety data

Glow Wire Test (°C)	650
Optimal operating condition (°C)	-10-40