

Blacklight A60 E27 SL

Item No: 0086302

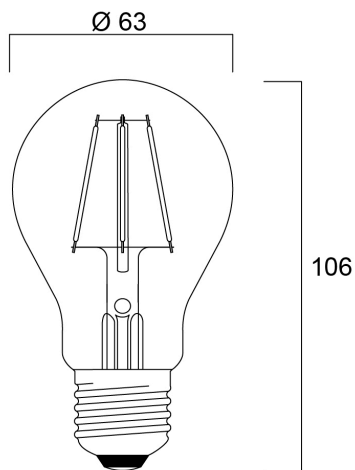
SYLVANIA



- Each LED filament contains special semiconductor chips delivering pure ultraviolet UV-A radiation- Wavelength peak 400nm is entirely safe for human exposure- Pure UV radiation with extremely low lumen output, which avoids masking fluorescence effects- Full glass construction with no external lacquer coating to peel or scratch off- IP54 water/dirt/dust resistant- Engineered in Belgium, Made in China- Applications include: lighting effects in entertainment venues, authentication of banknotes, passports & drivers licences, sensory rooms

Technical Assets

Dimensions (mm)



Photometrics

Blacklight A60 E27 SL

Item No: 0086302

SYLVANIA

General data

Product name	Blacklight A60 E27 SL
Technology	LED
Lamp shape	Pear-shape
Cap/Base	E27
Lamp finish	Clear
Fixture rating	Open
General application	SPG
ETIM Class	EC001959

Optical data

UV-A irradiance	50
Light colour	BLB Blacklight Blue
Photobiological Risk Group	RG0

Electrical data

Wattage (W)	3.5
Primary Supply/Product voltage - min (V)	220
Primary Supply/Product voltage - max (V)	240
Control gear required	No
Dimmable	No
Nominal Frequency (Hz)	50/60Hz

Lifetime data

Average life (Rated) (h)	6000
--------------------------	------

Physical data

Nominal Product Height (mm)	106
Nominal Product Diameter (mm)	63
Weight (kg)	0.028

Packaging

Product EAN number	5410288863023
Packaging single length / height (cm)	6.2
Packaging single width (cm)	6.2
Packaging single depth (cm)	11.2
DUN14 (inner)	15410288863020
Units per inner package	6
Packaging inner length / height (cm)	19.6
Packaging inner width (cm)	13.4
Packaging inner depth (cm)	12.2
DUN14 (outer)	25410288863027
Units per outer package	6
Packaging outer length / height (cm)	19.6
Packaging outer width (cm)	13.5
Packaging outer depth (cm)	12.2

Safety data

Breakage cleaning instructions	n/a
Intended purpose	Decorative Lighting
Suitable for household illumination	Yes