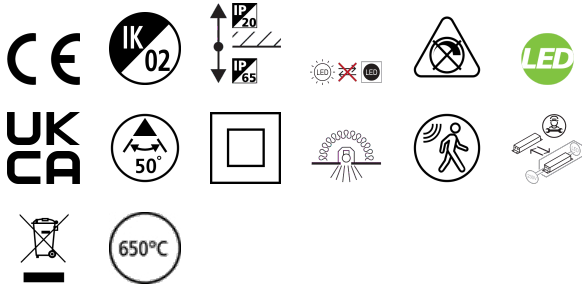


# SYLSPOT PIR 600/1050LM 3-CCT IP65 WH BEZEL

Item No: 0090264



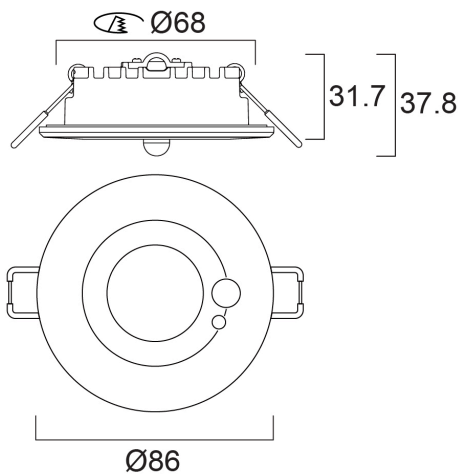
YourHome™



SylSpot IP65 PIR 600-1050LM 3CCT White is a universal spotlight offering PIR sensor setting options and three adjustable colour temperature options (3 CCT 2700K-3000K-4000K) for easy customisation to suit the need of the user. White finish, 2 wattage switch on the driver ( 6W-10W) as standard with 670lm & 1050lm for 4000K , 50° degree beam angle, low profile 31.7mm recessed depth, IP65 from the front, IK02, loop-in/loop-out terminals for fast wiring, 86mm Non-PIR bezel diameter, 68mm cutout. Additional white or black non PIR bezel can be ordered as accessory.

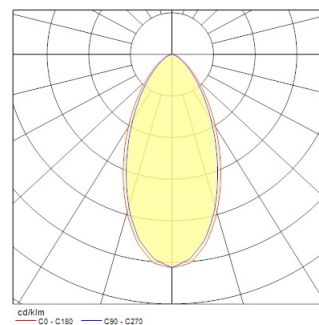
## Technical Assets

### Dimensions (mm)



### Photometrics

Distance [m]	Cone diameter [m]	Beam diameter [m]	Illuminance [lx]
0.5	0.46	0.50	4200
			1620
1.0	0.92	0.99	1070
			408
1.5	1.37	1.48	470
			181
2.0	1.83	1.96	289
			103
2.5	2.29	2.48	172
			61
3.0	2.75	2.96	100
			36



# SYLSPOT PIR 600/1050LM 3-CCT IP65 WH BEZEL

Item No: 0090264



## General data

Product name	SYLSPOT PIR 600/1050LM 3-CCT IP65 WH BEZEL
Technology	LED
Cap/Base	N/A
Housing	Aluminium
Mount	Ceiling recessed mounting
Built in presence detector	PIR
General application	Residential & Consumer, Retail
Operating temperature range (°C)	-20°C...+35°C
Virtual assistant compatibility	N/A
ETIM Class	EC001744
Warranty	5 years

## Optical data

Fixture luminous flux (lm)	1050
Luminaire efficacy (lm/W)	110
Light colour	Warm White or Neutral White
CRI (Ra)	80
Colour Variation Initial (SDCM)	SDCM6
Beam Angle (°)	50
Distribution type	Symmetric
Photobiological Risk Group	RG1

## Electrical data

Emergency type	
Total power consumption (W)	10
Supply current (A)	0.043
Primary Supply/Product voltage - min (V)	220.0
Primary Supply/Product voltage - max (V)	240.0
Lamp power factor	0.85
THD (at 230 V, 50 Hz, full load, at 100% dimming level) ≤ xx.x %	50
Electrical protection	Class II
Control gear type	LED driver constant current
Dimmable	No
Dimming method	N/A
Drive current (mA)	430
Inrush Current (A)	2
Inrush Duration (µs)	200
Energy Efficiency Class (A->G) of contained light source	D
Nominal Frequency (Hz)	50/60Hz
LED Flickering Rate	Ultra low (5% or less)
Max. products per 10A C Breaker	80
Max. products per 13A C Breaker	104
Max. products per 16A C Breaker	128
Max. products per 20A C Breaker	160
Max. products per 10A B Breaker	49
Max. products per 13A B Breaker	64
Max. products per 16A B Breaker	79
Max. products per 20A B Breaker	99
Connectable conductor cross section - Min (mm <sup>2</sup> )	0.75
Connectable conductor cross section - Max (mm <sup>2</sup> )	1.5

# SYLSPOT PIR 600/1050LM 3-CCT IP65 WH BEZEL

Item No: 0090264

**SYLVANIA**

## Physical data

Housing colour	RAL 9003 - Signal white
IP rating	IP65/20
IK rating	IK02
Diffuser finish	Diffuse
Diffuser material	PC Polycarbonate
Reflector finish	Not Applicable
Nominal Product Height (mm)	32
Nominal Product Diameter (mm)	86
Weight (kg)	0.236

## Packaging

Product EAN number	5410288902647
Packaging single length / height (cm)	9.0
Packaging single width (cm)	7.8
Packaging single depth (cm)	13.5
DUN14 (inner)	15410288902644
Units per inner package	10
Packaging inner length / height (cm)	410.0
Packaging inner width (cm)	195.0
Packaging inner depth (cm)	180.0
Units per outer package	60
Packaging outer length / height (cm)	590.0
Packaging outer width (cm)	420.0
Packaging outer depth (cm)	380.0

## Safety data

Glow Wire Test (°C)	650
Optimal operating condition (°C)	-20-35