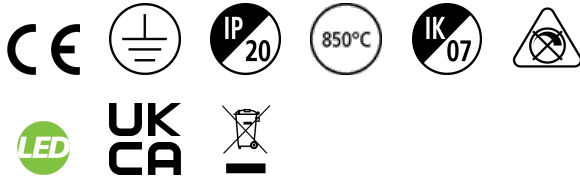


# OPTIX RECESSED 4 CELLS 3000K WHT

Item No: 2021690

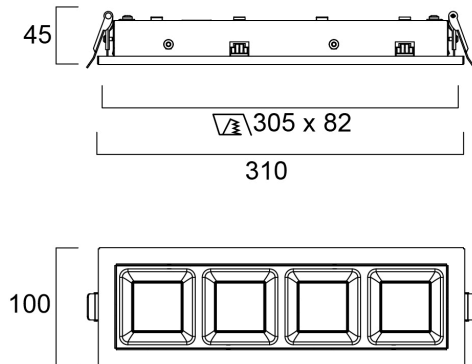
Concord



OPTIX RECESSED 4 CELLS 3000K WHT is a high efficacy low glare luminaire for office and education applications. Ceiling recessed 310x100 mm. White plastic low glare optics. White RAL9016 fixture body. Constant current driver. 3000K Warm White LED, CRI>80, chromaticity tolerance of 3-step MacAdam ellipse. Luminous flux 1059lm. Power consumption 9W. Luminaire efficacy 118lm/W. 42,000hrs L90B10 lifespan. UGR<22, Luminance at 65°<3000 Cd/m<sup>2</sup>, IK07, IP20. Photobiological safety risk group 1. Electrical protection Class I. Glow wire test 850°C.

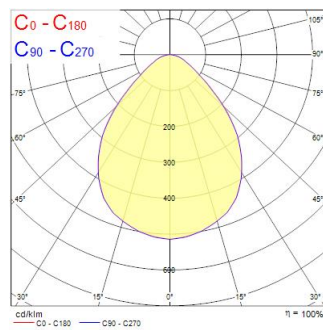
## Technical Assets

### Dimensions (mm)



### Photometrics

Distance [m]	Cone diameter [m]	Beam diameter [m]	Beam diameter [m]	Illuminance [lx]
0.5	0.52	0.52	0.52	2179
	0.53	0.53	0.53	430
	0.53	0.53	0.53	431
1.0	1.03	1.03	1.03	545
	1.06	1.06	1.06	110
	1.06	1.06	1.06	108
1.5	1.53	1.53	1.53	242
	1.56	1.56	1.56	49
	1.56	1.56	1.56	48
2.0	2.03	2.03	2.03	136
	2.06	2.06	2.06	11
	2.06	2.06	2.06	11
2.5	2.53	2.53	2.53	87
	2.56	2.56	2.56	8
	2.56	2.56	2.56	11
3.0	3.03	3.03	3.03	61
	3.06	3.06	3.06	12
	3.06	3.06	3.06	12



# OPTIX RECESSED 4 CELLS 3000K WHT

Item No: 2021690

# Concord

## General data

Product name	OPTIX RECESSED 4 CELLS 3000K WHT
Technology	LED
Cap/Base	N/A
Housing	Steel
Mount	Ceiling recessed mounting
Fixture rating	Enclosed
General application	Education, Office
Performance ambient temperature Tq (°C)	25
ETIM Class	EC002892
Warranty	5 years

## Optical data

Fixture luminous flux (lm)	1059
Luminaire efficacy (lm/W)	118
Correlated colour temperature (k)	3000
Light colour	Warm White
CRI (Ra)	80
Colour Variation Initial (SDCM)	SDCM3
Glare control	< 22
Photobiological Risk Group	RG1

## Electrical data

Total power consumption (W)	10
Primary Supply/Product voltage - min (V)	220
Primary Supply/Product voltage - max (V)	240
Lamp power factor	0.95
THD (at 230 V, 50 Hz, full load, at 100% dimming level) ≤ xx.x %	15
Electrical protection	Class I
Control gear required	No
Control gear type	LED driver constant current
Dimmable	No
Dimming method	N/A
Drive current (mA)	150
Inrush Current (A)	14
Inrush Duration (µs)	150
Energy Efficiency Class (A->G) of contained light source	C
Nominal Frequency (Hz)	50/60Hz
LED Flickering Rate	Ultra low (5% or less)
Max. products per 10A C Breaker	64
Max. products per 16A C Breaker	100
Max. products per 10A B Breaker	40
Max. products per 16A B Breaker	60
Connectable conductor cross section - Min (mm <sup>2</sup> )	0.5
Connectable conductor cross section - Max (mm <sup>2</sup> )	1.5

## Lifetime data

Lifespan L70 B50	120000
Lifespan L80 B20	96500
Lifespan L90 B10	42000

# OPTIX RECESSED 4 CELLS 3000K WHT

Item No: 2021690

Concord

## Physical data

Housing colour	RAL 9016 - Traffic white / Bezel
IP rating	IP20
IK rating	IK07
Diffuser finish	Matt/satinized
Diffuser material	PC Polycarbonate
Nominal Product Length (mm)	310
Nominal Product Width (mm)	100
Nominal Product Height (mm)	45
Weight (kg)	0.69

## Packaging

Product EAN number	5025768216901
Packaging single length / height (cm)	36.5
Packaging single width (cm)	18.2
Packaging single depth (cm)	6.0
DUN14 (inner)	05025768216901
Units per outer package	1
Packaging outer length / height (cm)	36.5
Packaging outer width (cm)	18.2
Packaging outer depth (cm)	6.0

## Safety data

Glow Wire Test (°C)	850
---------------------	-----