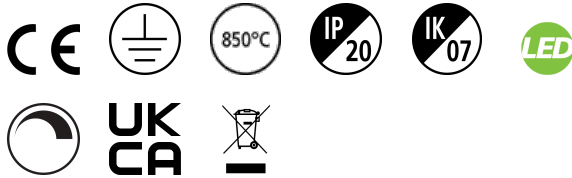


# OPTIX RECESSED 4 CELLS 4000K WHT DALI

Item No: 2021695

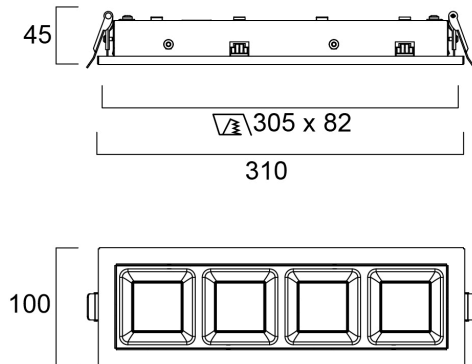
Concord



OPTIX RECESSED 4 CELLS 4000K WHT DALI is a high efficacy low glare luminaire for office and education applications. Ceiling recessed 310x100 mm. White plastic low glare optics. White RAL9016 fixture body. DALI dimmable. 4000K Neutral White LED, CRI>80, chromaticity tolerance of 3-step MacAdam ellipse. Luminous flux 1098lm. Power consumption 9W. Luminaire efficacy 122lm/W. 42,000hrs L90B10 lifespan. UGR<22, Luminance at 65°<3000 Cd/m2, IK07, IP20. Photobiological safety risk group 1. Electrical protection Class I. Glow wire test 850°C.

## Technical Assets

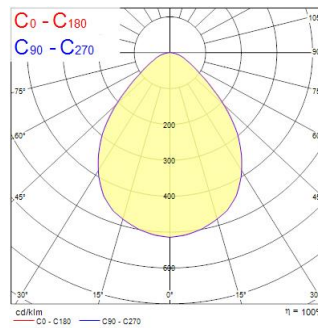
### Dimensions (mm)



### Photometrics

Distance [m]	Cone diameter [m]	Beam diameter [m]	Illuminance [lx]
0.5	0.52	0.53	2239
			E10°: 495
			E15°: 447
1.0	1.03	1.06	565
			E10°: 114
			E15°: 112
1.5	1.55	1.58	251
			E10°: 51
			E15°: 50
2.0	2.07	2.10	141
			E10°: 28
			E15°: 28
2.5	2.59	2.62	80
			E10°: 16
			E15°: 16
3.0	3.11	3.14	45
			E10°: 11
			E15°: 11

Distance [m] Cone diameter [m] Illuminance [lx]  
 — C0 - C180 (Half beam angle: 90.0°)  
 — C90 - C270 (Half beam angle: 90.0°)



# OPTIX RECESSED 4 CELLS 4000K WHT DALI

Item No: 2021695

Concord

## General data

Product name	OPTIX RECESSED 4 CELLS 4000K WHT DALI
Technology	LED
Cap/Base	N/A
Housing	Steel
Mount	Ceiling recessed mounting
Fixture rating	Enclosed
General application	Education, Office
Performance ambient temperature Tq (°C)	25
ETIM Class	EC002892
Warranty	5 years

## Optical data

Fixture luminous flux (lm)	1098
Luminaire efficacy (lm/W)	122
Correlated colour temperature (k)	4000
Light colour	Neutral White
CRI (Ra)	80
Colour Variation Initial (SDCM)	SDCM3
Glare control	< 22
Photobiological Risk Group	RG1

## Electrical data

Total power consumption (W)	9
Primary Supply/Product voltage - min (V)	220
Primary Supply/Product voltage - max (V)	240
Lamp power factor	0.89
THD (at 230 V, 50 Hz, full load, at 100% dimming level) ≤ xx.x %	6.5
Electrical protection	Class I
Control gear required	No
Control gear type	LED driver constant current
Dimmable	Yes
Dimming method	DALI
Drive current (mA)	150
Energy Efficiency Class (A->G) of contained light source	C
Nominal Frequency (Hz)	50/60Hz
LED Flickering Rate	Ultra low (5% or less)
Max. products per 10A C Breaker	100
Max. products per 13A C Breaker	130
Max. products per 16A C Breaker	160
Max. products per 20A C Breaker	200
Max. products per 10A B Breaker	100
Max. products per 13A B Breaker	130
Max. products per 16A B Breaker	160
Max. products per 20A B Breaker	200
Connectable conductor cross section - Min (mm <sup>2</sup> )	0.5
Connectable conductor cross section - Max (mm <sup>2</sup> )	1.5

## Lifetime data

Lifespan L70 B50	120000
Lifespan L80 B20	96500
Lifespan L90 B10	42000

# OPTIX RECESSED 4 CELLS 4000K WHT DALI

Item No: 2021695

Concord

## Physical data

Housing colour	RAL 9016 - Traffic white / Bezel
IP rating	IP20
IK rating	IK07
Diffuser finish	Matt/satinized
Diffuser material	PC Polycarbonate
Nominal Product Length (mm)	310
Nominal Product Width (mm)	100
Nominal Product Height (mm)	45
Weight (kg)	0.69

## Packaging

Product EAN number	5025768216956
Packaging single length / height (cm)	36.5
Packaging single width (cm)	18.2
Packaging single depth (cm)	6.0
DUN14 (inner)	05025768216956
Units per outer package	1
Packaging outer length / height (cm)	36.5
Packaging outer width (cm)	18.2
Packaging outer depth (cm)	6.0

## Safety data

Glow Wire Test (°C)	850
---------------------	-----