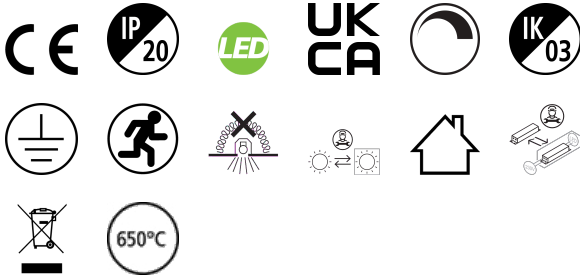


Nilo 800 Direct/Indirect 3000K DALI EM Black

Item No: 2050606

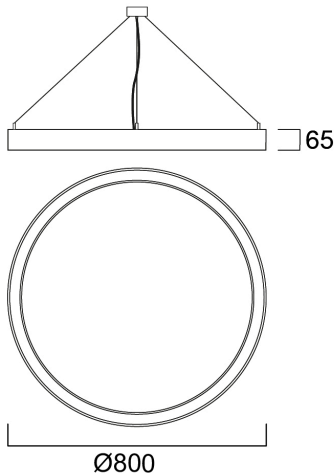
Concord



Nilo is a 360° curve-shaped luminaire with a striking, minimalistic design, perfect for retail, hospitality, and office environments. The product can be suspended at different heights to create appealing lighting effects. Stand-alone and self-contained lighting fixture. Aluminium body, opal diffuser, emits direct and indirect lighting. Textured black finishing colour. Light color temperature: 3000K, warm white. System power: 56W Ra80 typical, LED chromacity: 3 step MacAdam ellipse (SDCM3), IR/UV free light source without heat radiation. DALI dimmable, 3-hours self-contained EMPRO self-test emergency, 220-240V / 50-60Hz. Electrical protection: Class I. 80% direct, and 20% indirect lighting. Degree of protection: IP20, suitable for indoor environment only. Nominal product dimensions: diameter 800mmx65mm. 3h emergency in function: direct lighting only, partial lighting (only direct and 1/4 of whole luminaire is light up in emergency mode), 200lm.

Technical Assets

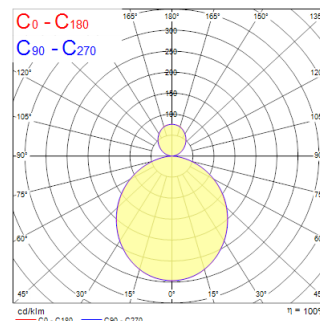
Dimensions (mm)



Photometrics

Distance [m]	Cone diameter [m]	E171	E170	E169	E168
0.5	1.36	8762	8762	8762	8762
	1.35	8211	8211	8211	8211
1.0	2.72	1691	1691	1691	1691
	2.69	1571	1571	1571	1571
1.5	4.05	751	751	751	751
	4.04	687	687	687	687
2.0	5.45	423	423	423	423
	5.39	384	384	384	384
2.5	6.81	270	270	270	270
	6.73	244	244	244	244
3.0	8.17	188	188	188	188
	8.06	171	171	171	171

Distance [m] Cone diameter [m] Illuminance [lx]
 — C0 - C180 (Half beam angle: 106.8°)
 — C90 - C270 (Half beam angle: 107.4°)



Nilo 800 Direct/Indirect 3000K DALI EM Black

Item No: 2050606

Concord

General data

Product name	Nilo 800 Direct/Indirect 3000K DALI EM Black
Technology	LED
Cap/Base	N/A
Housing	Aluminium
Mount	Suspended
Built in presence detector	NONE
General application	Hospitality, Museums & Galleries, Retail
Operating temperature range (°C)	1°C...+25°C
Virtual assistant compatibility	N/A
ETIM Class	EC002892
Warranty	5 years

Optical data

Fixture luminous flux (lm)	5700
Luminaire efficacy (lm/W)	102
Correlated colour temperature (k)	3000
Light colour	Warm White
CRI (Ra)	80
Colour Variation Initial (SDCM)	SDCM3
Distribution type	Symmetric
Glare control	< 23
Photobiological Risk Group	RG0

Electrical data

Emergency type	
Emergency duration (h)	3
Total power consumption (W)	56
Primary Supply/Product voltage - min (V)	220.0
Primary Supply/Product voltage - max (V)	240.0
Lamp power factor	0.98
THD (at 230 V, 50 Hz, full load, at 100% dimming level) ≤ xx.x %	5.0
Electrical protection	Class I
Control gear type	LED driver constant current
Dimmable	Yes
Dimming method	DALI
Drive current (mA)	1280
Inrush Current (A)	23
Inrush Duration (µs)	200
Energy Efficiency Class (A->G) of contained light source	C
Nominal Frequency (Hz)	50/60Hz
Max. products per 10A C Breaker	23
Max. products per 13A C Breaker	31
Max. products per 16A C Breaker	38
Max. products per 16A B Breaker	23
Connectable conductor cross section - Max (mm ²)	2.5

Lifetime data

Lifespan L80 B20 | 50000

Nilo 800 Direct/Indirect 3000K DALI EM Black

Item No: 2050606

Concord

Physical data

Housing colour	Black
IP rating	IP20
IK rating	IK03
Diffuser finish	Opal
Diffuser material	PMMA Acrylic
Nominal Product Height (mm)	65
Nominal Product Diameter (mm)	800
Weight (kg)	4.9

Packaging

Product EAN number	5025768506064
Packaging single length / height (cm)	87.0
Packaging single width (cm)	87.0
Packaging single depth (cm)	10.0
DUN14 (inner)	05025768506064
Units per outer package	1
Packaging outer length / height (cm)	87.0
Packaging outer width (cm)	87.0
Packaging outer depth (cm)	10.0

Safety data

Glow Wire Test (°C)	650
Optimal operating condition (°C)	1-25