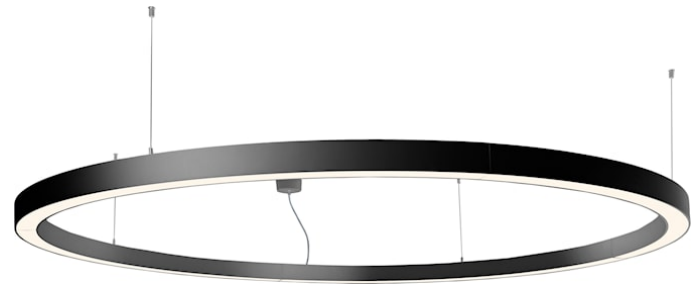


Nilo 1200 Direct/Indirect 4000K DALI EM Black

Item No: 2050615

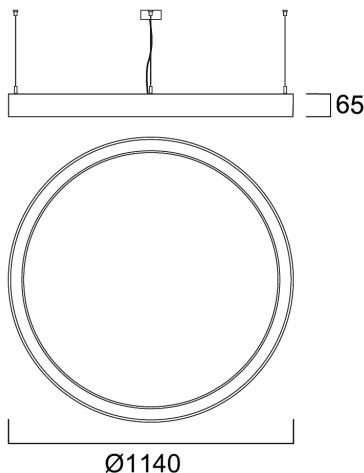
Concord



Nilo is a 360° curve-shaped luminaire with a striking, minimalistic design, perfect for retail, hospitality, and office environments. The product can be suspended at different heights to create appealing lighting effects. Stand-alone and self-contained lighting fixture. Aluminium body, opal diffuser, emits direct and indirect lighting. Textured black finishing colour. Light color temperature: 4000K, neutral white. System power: 88W Ra80 typical, LED chromacity: 3 step MacAdam ellipse (SDCM3), IR/UV free light source without heat radiation. DALI dimmable, 3-hours self-contained EMPRO self-test emergency, 220-240V / 50-60Hz 75% direct, and 25% indirect lighting. Electrical protection: Class I. Degree of protection: IP20, suitable for indoor environment only. Nominal product dimensions: diameter 1140mm x 65mm. 3h emergency in function: direct lighting only, partial lighting (only direct and 1/4 of whole luminaire is light up in emergency mode), 200lm.

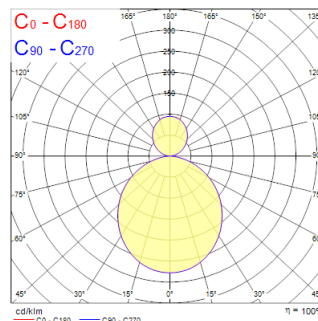
Technical Assets

Dimensions (mm)



Photometrics

Distance [m]	Cone diameter [m]	Beam angle [°]	Beam diameter [m]	Beam diameter [ft]	Illuminance [lx]
0.5	1.36 1.35	106.8° 107.4°	10641 1107	1132	10641 1107
1.0	2.72 2.69	106.8° 107.4°	2080 211	226	2080 211
1.5	4.08 4.04	106.8° 107.4°	1132 113	125	1132 113
2.0	5.45 5.39	106.8° 107.4°	685 69	71	685 69
2.5	6.81 6.73	106.8° 107.4°	428 44	48	428 44
3.0	8.17 8.08	106.8° 107.4°	296 31	31	296 31



Nilo 1200 Direct/Indirect 4000K DALI EM Black

Item No: 2050615

Concord

General data

Product name	Nilo 1200 Direct/Indirect 4000K DALI EM Black
Technology	LED
Cap/Base	N/A
Housing	Aluminium
Mount	Suspended
Built in presence detector	NONE
General application	Hospitality, Museums & Galleries, Retail
Operating temperature range (°C)	1°C...+25°C
Virtual assistant compatibility	N/A
ETIM Class	EC002892
Warranty	5 years

Optical data

Fixture luminous flux (lm)	9570
Luminaire efficacy (lm/W)	109
Correlated colour temperature (k)	4000
Light colour	Neutral White
CRI (Ra)	80
Colour Variation Initial (SDCM)	SDCM3
Distribution type	Symmetric
Glare control	< 23
Photobiological Risk Group	RG0

Electrical data

Emergency type	
Emergency duration (h)	3
Total power consumption (W)	88
Primary Supply/Product voltage - min (V)	220.0
Primary Supply/Product voltage - max (V)	240.0
Lamp power factor	0.97
THD (at 230 V, 50 Hz, full load, at 100% dimming level) ≤ xx.x %	7.0
Electrical protection	Class I
Control gear type	LED driver constant current
Dimmable	Yes
Dimming method	DALI
Drive current (mA)	1024
Inrush Current (A)	31.2
Inrush Duration (µs)	182
Energy Efficiency Class (A->G) of contained light source	C
Nominal Frequency (Hz)	50/60Hz
Max. products per 10A C Breaker	14
Max. products per 13A C Breaker	18
Max. products per 16A C Breaker	45
Max. products per 16A B Breaker	27
Connectable conductor cross section - Max (mm ²)	2.5

Lifetime data

Lifespan L80 B20 | 50000

Nilo 1200 Direct/Indirect 4000K DALI EM Black

Item No: 2050615

Concord

Physical data

Housing colour	Black
IP rating	IP20
IK rating	IK03
Diffuser finish	Opal
Diffuser material	PMMA Acrylic
Nominal Product Height (mm)	65
Nominal Product Diameter (mm)	1140
Weight (kg)	8.2

Packaging

Product EAN number	5025768506156
Packaging single length / height (cm)	126.0
Packaging single width (cm)	126.0
Packaging single depth (cm)	14.9
DUN14 (inner)	05025768506156
Units per outer package	1
Packaging outer length / height (cm)	126.0
Packaging outer width (cm)	126.0
Packaging outer depth (cm)	14.9

Safety data

Glow Wire Test (°C)	650
Optimal operating condition (°C)	1-25