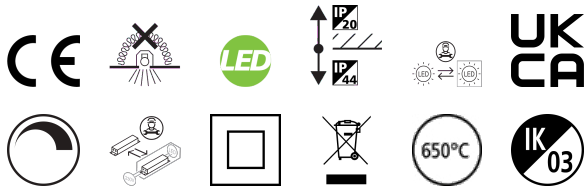


ASCENT 150 II 1800 3K DALI

Item No: 2059349

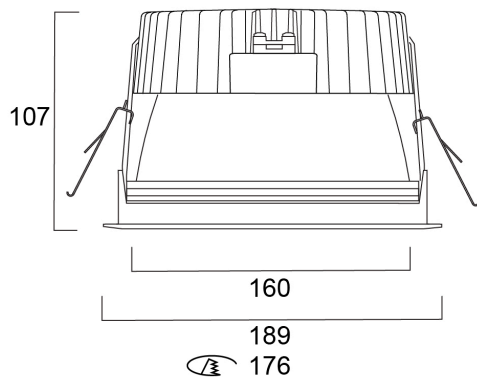
Concord



The ASCENT 150 II 1800 3K DALI is a high efficient downlight luminaire , Colour rendering index Ra >80, Colour temperature: 3000K Warm white, Class II, Protection rating IP44/IK03

Technical Assets

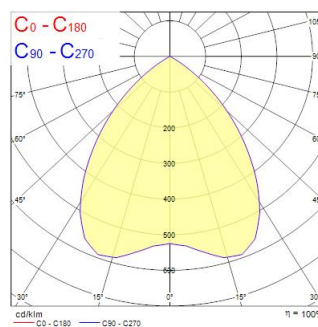
Dimensions (mm)



Photometrics

Distance [m]	Cone diameter [m]	Beam diameter [m]	Beam angle [°]	Illuminance [lx]
0.5	0.50	0.50	42.0°	377
1.0	1.00	1.00	42.0°	94
1.5	1.50	1.50	42.0°	40
2.0	2.00	2.00	42.0°	23
2.5	2.50	2.50	42.0°	15
3.0	3.00	3.00	42.0°	10

Distance [m] Cone diameter [m] Beam diameter [m] Beam angle [°] Illuminance [lx]
 C0 - C180 (Half beam angle: 84.0°)



ASCENT 150 II 1800 3K DALI

Item No: 2059349

Concord

General data

Product name	ASCENT 150 II 1800 3K DALI
Technology	LED
Cap/Base	N/A
Housing	Aluminium
Mount	Ceiling recessed mounting
Built in presence detector	NONE
Environment	Internal
General application	Hospitality, Office, Retail
Operating temperature range (°C)	25°C...+25°C
Performance ambient temperature Tq (°C)	25
Virtual assistant compatibility	N/A
ETIM Class	EC001744
Warranty	5 years

Optical data

Fixture luminous flux (lm)	1800
Luminaire efficacy (lm/W)	138
LOR (%)	100
Correlated colour temperature (k)	3000
CRI (Ra)	80
Colour Consistency (SDCM)	3
Colour Variation Initial (SDCM)	SDCM3
Adjustable chromaticity	N
Beam Angle (°)	80
Distribution type	Diffuse
Glare control	< 21
Photobiological Risk Group	RG0

Electrical data

Total power consumption (W)	13
Primary Supply/Product voltage - min (V)	220
Primary Supply/Product voltage - max (V)	240
Lamp power factor	1
THD (at 230 V, 50 Hz, full load, at 100% dimming level) ≤ xx.x %	7
Electrical protection	Class II
Control gear type	Electronic ballast
Dimmable	Yes
Dimming method	DALI-2, Switch-dim (mains-rated)
Minimum dimming level (%)	1
Drive current (mA)	500
Inrush Current (A)	25
Inrush Duration (µs)	141
Energy Efficiency Class (A->G) of contained light source	C
Nominal Frequency (Hz)	50/60/HF
Max. products per 10A C Breaker	31
Max. products per 13A C Breaker	40
Max. products per 16A C Breaker	51
Max. products per 20A C Breaker	66
Max. products per 10A B Breaker	19
Max. products per 13A B Breaker	24
Max. products per 16A B Breaker	31
Max. products per 20A B Breaker	40
Connectable conductor cross section - Min (mm ²)	1
Connectable conductor cross section - Max (mm ²)	1

Lifetime data

Lifespan L70 B50	100000
Lifespan L80 B20	100000
Lifespan L90 B10	60000

ASCENT 150 II 1800 3K DALI

Item No: 2059349

Concord

Physical data

Housing colour	RAL 9016 - Traffic white / Bezel
IP rating	IP44/20
IK rating	IK03
Diffuser finish	Transparent
Diffuser material	PC Polycarbonate
Reflector finish	Other
Nominal Product Width (mm)	189
Nominal Product Height (mm)	107
Nominal Product Diameter (mm)	189
Weight (kg)	3.36
Recessed Depth (mm)	120

Packaging

Product EAN number	5025768593491
Packaging single length / height (cm)	25.0
Packaging single width (cm)	20.0
Packaging single depth (cm)	25.0
DUN14 (inner)	05025768593491
Units per outer package	1
Packaging outer length / height (cm)	25.0
Packaging outer width (cm)	20.0
Packaging outer depth (cm)	25.0

Safety data

Glow Wire Test (°C)	650
Optimal operating condition (°C)	25-25