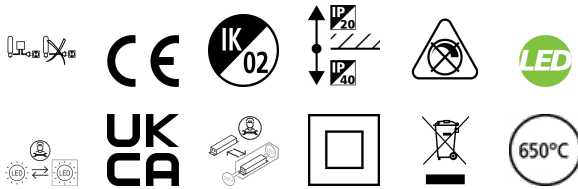


ASCENT 100 II ARCH 1200 4K STD 120

Item No: 2060525

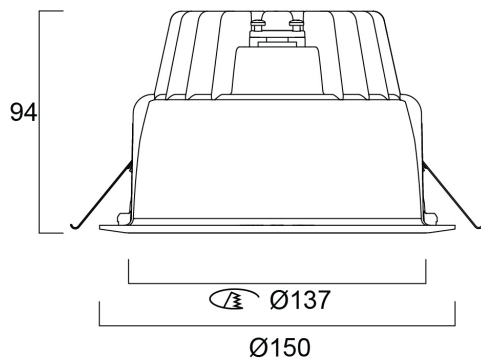
Concord



The ASCENT 100 II ARCH 1200 4K STD 120 is a high efficient non dimmable downlight luminaire, Colour rendering index Ra >80, Colour temperature: 4000K Neutral White, Class II, Protection rating IP40/IP20, Cut out dimensions: 137mm

Technical Assets

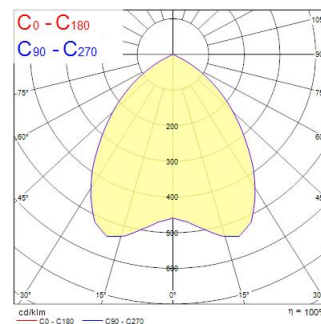
Dimensions (mm)



Photometrics

Distance [m]	Cone diameter [m]	Beam angle [°]	Illuminance [lx]
0.5	0.84	43°	225
1.0	1.68	43°	56
1.5	2.53	43°	25
2.0	3.37	43°	16
2.5	4.21	43°	11
3.0	5.05	43°	8

Distance [m] Cone diameter [m] Illuminance [lx]
C0 - C180 (Half beam angle: 86.6°)



ASCENT 100 II ARCH 1200 4K STD 120

Item No: 2060525

Concord

General data

Product name	ASCENT 100 II ARCH 1200 4K STD 120
Technology	LED
Cap/Base	N/A
Housing	Aluminium
Mount	Ceiling recessed mounting
General application	Hospitality, Office, Retail
Operating temperature range (°C)	0°C...+25°C
Performance ambient temperature Tq (°C)	25
ETIM Class	EC001744
Warranty	5 years

Optical data

Fixture luminous flux (lm)	1228
Luminaire efficacy (lm/W)	123
LOR (%)	100
Correlated colour temperature (k)	4000
CRI (Ra)	80
Colour Consistency (SDCM)	3
Beam Angle (°)	85
Glare control	< 23
Photobiological Risk Group	RG0

Electrical data

Total power consumption (W)	10
Primary Supply/Product voltage - min (V)	220
Primary Supply/Product voltage - max (V)	240
Lamp power factor	0.90
THD (at 230 V, 50 Hz, full load, at 100% dimming level) ≤ xx.x %	15
Electrical protection	Class II
Control gear required	Yes
Control gear type	Electronic ballast
Control gear mounting	Remote
Dimmable	No
Dimming method	N/A
Drive current (mA)	200
Inrush Current (A)	8
Energy Efficiency Class (A->G) of contained light source	C
Nominal Frequency (Hz)	50/60Hz
Max. products per 10A B Breaker	38
Max. products per 16A B Breaker	60

Lifetime data

Lifespan L70 B50	100000
Lifespan L80 B20	87500
Lifespan L90 B10	39000

Physical data

Housing colour	RAL 9016 - Traffic white / Bezel
IP rating	IP40/20
IK rating	IK02
Diffuser finish	Opal
Diffuser material	PMMA Acrylic
Nominal Product Width (mm)	150
Nominal Product Height (mm)	94
Nominal Product Diameter (mm)	150
Weight (kg)	0.715

ASCENT 100 II ARCH 1200 4K STD 120

Item No: 2060525

Concord

Packaging

Product EAN number	5025768605255
Packaging single length / height (cm)	17.5
Packaging single width (cm)	15.0
Packaging single depth (cm)	17.5
DUN14 (inner)	05025768605255
Units per outer package	1
Packaging outer length / height (cm)	17.5
Packaging outer width (cm)	15.0
Packaging outer depth (cm)	17.5

Safety data

Glow Wire Test (°C)	650
---------------------	-----