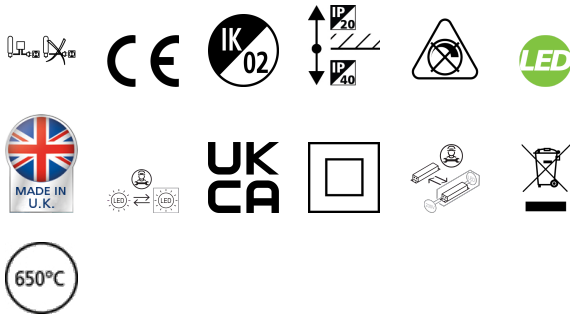


# ASCENT 100 II ARCH 1900 3K STD 120

Item No: 2060530

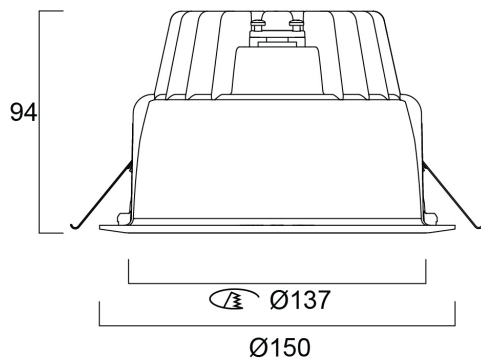
**Concord**



The ASCENT 100 II ARCH 1900 3K STD 120 is a high efficient non dimmable downlight luminaire, Colour rendering index Ra >80, Colour temperature: 3000K Warm White, Class II, Protection rating IP40/IP20, Cut out dimensions: 137mm

## Technical Assets

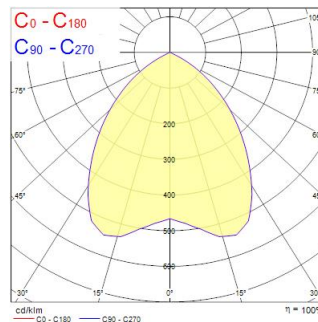
### Dimensions (mm)



### Photometrics

Distance [m]	Cone diameter [m]	Beam angle [°]	Illuminance [lx]
0.5	0.84	80°	3517
1.0	1.68	80°	879
1.5	2.53	80°	391
2.0	3.37	80°	233
2.5	4.21	80°	151
3.0	5.05	80°	98

Distance [m]    Cone diameter [m]    Illuminance [lx]  
 C0 - C180 (Half beam angle: 86.6°)



# ASCENT 100 II ARCH 1900 3K STD 120

Item No: 2060530

## Concord

### General data

Product name	ASCENT 100 II ARCH 1900 3K STD 120
Technology	LED
Cap/Base	N/A
Housing	Aluminium
Mount	Ceiling recessed mounting
General application	Hospitality, Office, Retail
Operating temperature range (°C)	0°C...+25°C
Performance ambient temperature Tq (°C)	25
ETIM Class	EC001744
Warranty	5 years

### Optical data

Fixture luminous flux (lm)	1887
Luminaire efficacy (lm/W)	118
LOR (%)	100
Correlated colour temperature (k)	3000
CRI (Ra)	80
Colour Consistency (SDCM)	3
Beam Angle (°)	85
Glare control	< 25
Photobiological Risk Group	RG0

### Electrical data

Total power consumption (W)	16
Primary Supply/Product voltage - min (V)	220
Primary Supply/Product voltage - max (V)	240
Lamp power factor	0.96
THD (at 230 V, 50 Hz, full load, at 100% dimming level) ≤ xx.x %	150
Electrical protection	Class II
Control gear required	Yes
Control gear type	Electronic ballast
Control gear mounting	Remote
Dimmable	No
Dimming method	N/A
Drive current (mA)	350
Inrush Current (A)	14.5
Inrush Duration (µs)	114
Energy Efficiency Class (A->G) of contained light source	C
Nominal Frequency (Hz)	50/60Hz
Max. products per 10A C Breaker	52
Max. products per 13A C Breaker	67
Max. products per 16A C Breaker	85
Max. products per 20A C Breaker	104
Max. products per 10A B Breaker	32
Max. products per 13A B Breaker	41
Max. products per 16A B Breaker	50
Max. products per 20A B Breaker	62

### Lifetime data

Lifespan L70 B50	100000
Lifespan L80 B20	87500
Lifespan L90 B10	39000

# ASCENT 100 II ARCH 1900 3K STD 120

Item No: 2060530

Concord

## Physical data

Housing colour	RAL 9016 - Traffic white / Bezel
IP rating	IP40/20
IK rating	IK02
Diffuser finish	Opal
Diffuser material	PMMA Acrylic
Nominal Product Width (mm)	150
Nominal Product Height (mm)	94
Nominal Product Diameter (mm)	150
Weight (kg)	0.715

## Packaging

Product EAN number	5025768605309
Packaging single length / height (cm)	17.5
Packaging single width (cm)	15.0
Packaging single depth (cm)	17.5
DUN14 (inner)	05025768605309
Units per outer package	1
Packaging outer length / height (cm)	17.5
Packaging outer width (cm)	15.0
Packaging outer depth (cm)	17.5

## Safety data

Glow Wire Test (°C)	650
---------------------	-----