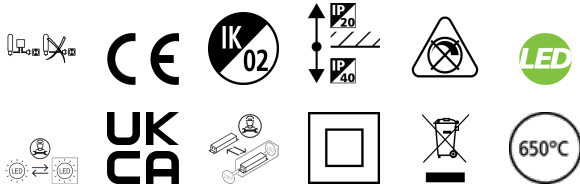


# ASCENT 100 II DECO 900 4K STD EMG 120

Item No: 2060616

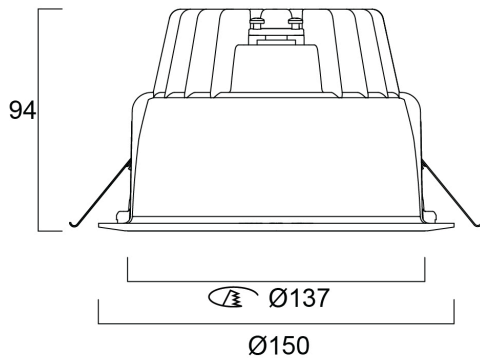
Concord



The ASCENT 100 II DECO 900 4K STD EMG 120 is a high efficient non dimmable downlight luminaire with 3 hour emergency, Colour rendering index Ra >80, Colour temperature: 4000K Neutral White, Class II, Protection rating IP40/IP20, Cut out dimensions: 137mm

## Technical Assets

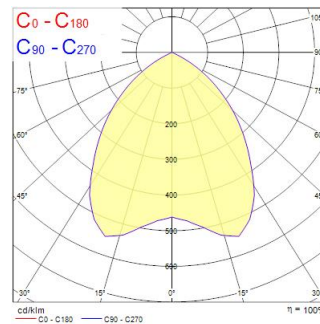
### Dimensions (mm)



### Photometrics

Distance [m]	Cone diameter [m]	Beam diameter [m]	Illuminance [lx]
0.5	0.84	Ø171	1719
1.0	1.68	Ø342	430
1.5	2.53	Ø513	191
2.0	3.37	Ø684	107
2.5	4.21	Ø855	69
3.0	5.05	Ø1026	46

Distance [m] Cone diameter [m] Illuminance [lx]  
C0 - C180 (Half beam angle: 86.6°)



# ASCENT 100 II DECO 900 4K STD EMG 120

Item No: 2060616

## Concord

### General data

Product name	ASCENT 100 II DECO 900 4K STD EMG 120
Technology	LED
Cap/Base	N/A
Housing	Aluminium
Mount	Ceiling recessed mounting
General application	Hospitality, Office, Retail
Operating temperature range (°C)	0°C...+25°C
Performance ambient temperature Tq (°C)	25
ETIM Class	EC001744
Warranty	5 years

### Optical data

Fixture luminous flux (lm)	931
Luminaire efficacy (lm/W)	93
LOR (%)	100
Correlated colour temperature (k)	4000
CRI (Ra)	80
Colour Consistency (SDCM)	3
Beam Angle (°)	85
Glare control	< 22
Photobiological Risk Group	RG0

### Electrical data

Total power consumption (W)	10
Primary Supply/Product voltage - min (V)	220
Primary Supply/Product voltage - max (V)	240
Lamp power factor	0.90
THD (at 230 V, 50 Hz, full load, at 100% dimming level) ≤ xx.x %	15
Electrical protection	Class II
Control gear required	Yes
Control gear type	Electronic ballast
Control gear mounting	Remote
Dimmable	No
Dimming method	N/A
Drive current (mA)	150
Inrush Current (A)	8
Energy Efficiency Class (A->G) of contained light source	C
Nominal Frequency (Hz)	50/60Hz
Max. products per 10A B Breaker	38
Max. products per 16A B Breaker	60

### Lifetime data

Lifespan L70 B50	100000
Lifespan L80 B20	87500
Lifespan L90 B10	39000

### Physical data

Housing colour	RAL 9016 - Traffic white / Bezel
IP rating	IP40/20
IK rating	IK02
Diffuser finish	Opal
Diffuser material	PMMA Acrylic
Nominal Product Width (mm)	150
Nominal Product Height (mm)	94
Nominal Product Diameter (mm)	150
Weight (kg)	1.43

# ASCENT 100 II DECO 900 4K STD EMG 120

Item No: 2060616

## Concord

### Packaging

Product EAN number	5025768606160
Packaging single length / height (cm)	30.0
Packaging single width (cm)	30.0
Packaging single depth (cm)	12.5
DUN14 (inner)	05025768606160
Units per outer package	1
Packaging outer length / height (cm)	30.0
Packaging outer width (cm)	30.0
Packaging outer depth (cm)	12.5

### Safety data

Glow Wire Test (°C)	650
---------------------	-----