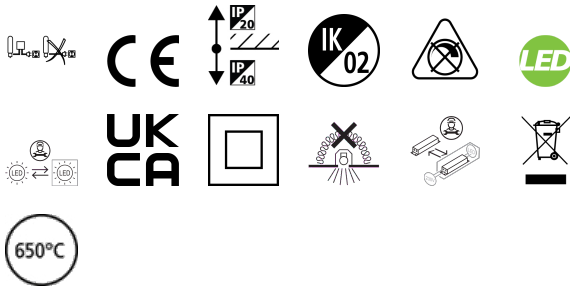


# ASCENT 100 II DECO 2700 4K STD EMG 160

Item No: 2060656

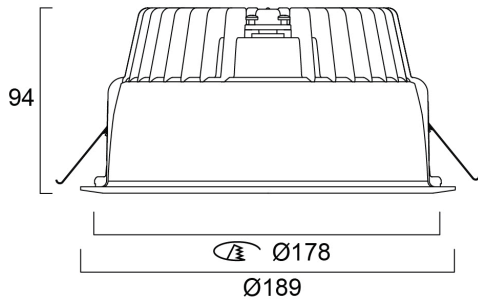
Concord



The ASCENT 100 II DECO 2700 4K STD EMG 160 is a high efficient non dimmable downlight luminaire with 3 hour emergency, Colour rendering index Ra >80, Colour temperature: 4000K Neutral White, Class II, Protection rating IP40/IP20, Cut out dimensions: 178mm

## Technical Assets

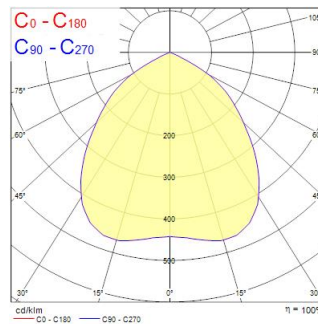
### Dimensions (mm)



### Photometrics

Distance [m]	Cone diameter [m]	Beam diameter [mm]	Illuminance [lx]
0.5	1.08	Ø178	436
1.0	2.17	Ø178	109
1.5	3.25	Ø178	48
2.0	4.33	Ø178	31
2.5	5.42	Ø178	21
3.0	6.50	Ø178	15

Distance [m] Cone diameter [m] Illuminance [lx]  
 C0 - C180 (Half beam angle: 94.6°)



# ASCENT 100 II DECO 2700 4K STD EMG 160

Item No: 2060656

## Concord

### General data

Product name	ASCENT 100 II DECO 2700 4K STD EMG 160
Technology	LED
Cap/Base	N/A
Housing	Aluminium
Mount	Ceiling recessed mounting
Built in presence detector	NONE
General application	Hospitality, Office, Retail
Operating temperature range (°C)	25°C...+25°C
Performance ambient temperature Tq (°C)	25
Virtual assistant compatibility	N/A
ETIM Class	EC001744
Warranty	5 years

### Optical data

Fixture luminous flux (lm)	2767
Luminaire efficacy (lm/W)	126
LOR (%)	100
Correlated colour temperature (k)	4000
CRI (Ra)	80
Colour Variation Initial (SDCM)	SDCM3
Colour Consistency (SDCM)	3
Beam Angle (°)	85
Distribution type	Diffuse
Glare control	< 25
Photobiological Risk Group	RG0

### Electrical data

Total power consumption (W)	22
Primary Supply/Product voltage - min (V)	220
Primary Supply/Product voltage - max (V)	240
Lamp power factor	0.95
THD (at 230 V, 50 Hz, full load, at 100% dimming level) ≤ xx.x %	10
Electrical protection	Class II
Control gear required	Yes
Control gear type	Electronic ballast
Control gear mounting	Remote
Dimmable	No
Dimming method	N/A
Drive current (mA)	400
Inrush Current (A)	5
Inrush Duration (µs)	50
Energy Efficiency Class (A->G) of contained light source	C
Nominal Frequency (Hz)	50/60Hz
Max. products per 10A C Breaker	50
Max. products per 16A C Breaker	80
Max. products per 16A B Breaker	50
Connectable conductor cross section - Min (mm <sup>2</sup> )	0.5
Connectable conductor cross section - Max (mm <sup>2</sup> )	1.5
<b>Lifetime data</b>	
Lifespan L70 B50	100000
Lifespan L80 B20	100000
Lifespan L90 B10	580000

# ASCENT 100 II DECO 2700 4K STD EMG 160

Item No: 2060656

Concord

## Physical data

Housing colour	RAL 9016 - Traffic white / Bezel
IP rating	IP40/20
IK rating	IK02
Diffuser finish	Opal
Diffuser material	PMMA Acrylic
Reflector finish	High-gloss
Nominal Product Height (mm)	94
Nominal Product Diameter (mm)	189
Weight (kg)	1.92

## Packaging

Product EAN number	5025768606566
Packaging single length / height (cm)	30.0
Packaging single width (cm)	30.0
Packaging single depth (cm)	12.5
DUN14 (inner)	05025768606566
Units per outer package	1
Packaging outer length / height (cm)	30.0
Packaging outer width (cm)	30.0
Packaging outer depth (cm)	12.5

## Safety data

Glow Wire Test (°C)	650
Optimal operating condition (°C)	25-25