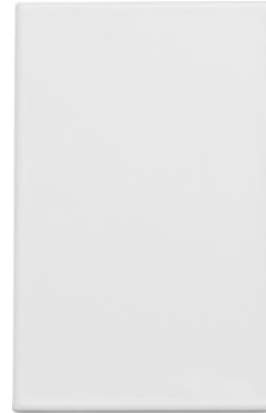


CONTINUUM PLUS END CAP W

Item No: 2064603

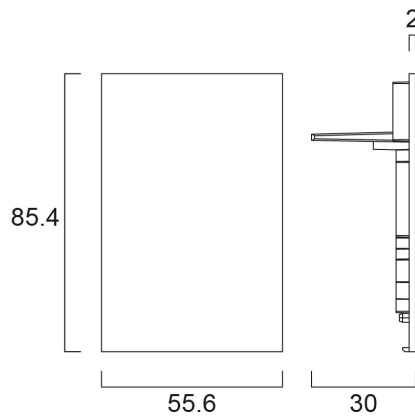
Concord



CONTINUUM PLUS END CAP W Trimless end cap for Continuum Plus, white (RAL9016) finishing, 1pce per pack.

Technical Assets

Dimensions (mm)



Photometrics

General data

Product name	CONTINUUM PLUS END CAP W
Technology	Non - Electrical Device
Type of accessory	End cap
Housing	Aluminium
Built in presence detector	NONE
General application	Office, Education
ETIM Class	EC002557
Warranty	5 years

Electrical data

Emergency type

Physical data

Housing colour

RAL 9016 - Traffic white / Bezel

Weight (kg)

0.1

CONTINUUM PLUS END CAP W

Item No: 2064603

Concord

Packaging

Product EAN number	5025768646036
Packaging single length / height (cm)	250.0
Packaging single width (cm)	250.0
Packaging single depth (cm)	100.0
DUN14 (inner)	05025768646036
Units per outer package	1
Packaging outer length / height (cm)	250.0
Packaging outer width (cm)	250.0
Packaging outer depth (cm)	100.0

Safety data

Glow Wire Test (°C)	650
---------------------	-----