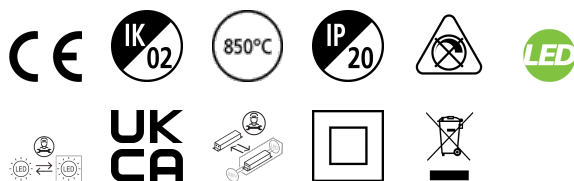


EXPOSPOT 90 ADJUSTABLE HE RA90 3000K MB WHITE

Item No: 2070036

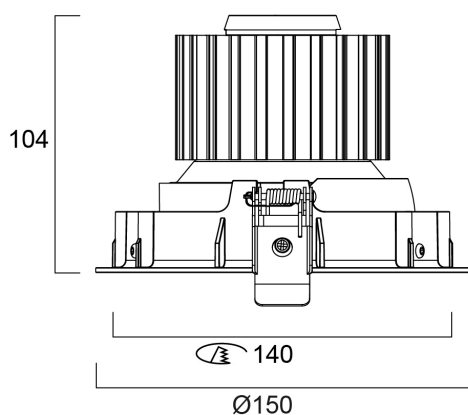
Concord



Integrated LED adjustable accent downlight, single head, ideal for retail and display applications, die-cast aluminium body, passive cooling, beam angle: 44°, optics: aluminium reflector and lens combination, colour temperature: 3000K warm white, total system power: 28W, total fixture output: 2573lm, 92lm/W, LOR: 100%, colour rendering: Ra 90 typical, LED Chromacity: 3 step MacAdam ellipse, IR/UV free light source without heat radiation, operating voltage: 220-240V / 50-60Hz, electronic driver, non-dimmable, electrical protection: CLASS II, ingress protection rating: IP20, suitable for internal environment only, ceiling cut-out: 140mm, dimensions: 150x104mm, weight: 0.77kg.

Technical Assets

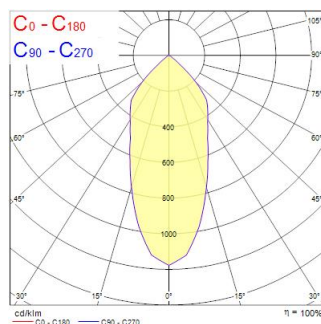
Dimensions (mm)



Photometrics

Distance [m]	Cone diameter [m]	E(0°)	E(C0)	E(C90)	Illuminance [lx]
0.5	0.40	5171	5171	219°	12116
1.0	0.80	5171	5171	219°	4803
1.5	1.21	5171	5171	219°	3329
2.0	1.61	5171	5171	219°	2421
2.5	2.01	5171	5171	219°	1937
3.0	2.41	5171	5171	219°	1618

Distance [m] Cone diameter [m] Illuminance [lx]
 C0 - C180 (Half beam angle: 43.8°)



EXPOSPOT 90 ADJUSTABLE HE RA90 3000K MB WHITE

Item No: 2070036

Concord

General data

Product name	EXPOSPOT 90 ADJUSTABLE HE RA90 3000K MB WHITE
Technology	LED
Cap/Base	N/A
Housing	Aluminium
Mount	Ceiling recessed mounting
Fixture rating	Enclosed
General application	Hospitality, Museums & Galleries, Retail
Performance ambient temperature Tq (°C)	25
ETIM Class	EC001744
Warranty	5 years

Optical data

Fixture luminous flux (lm)	2573
Luminaire efficacy (lm/W)	92
LOR (%)	100
Correlated colour temperature (k)	3000
Light colour	Warm White
CRI (Ra)	90
Colour Variation Initial (SDCM)	SDCM3
Beam Angle (°)	44
Photobiological Risk Group	RG1

Electrical data

Total power consumption (W)	28
Primary Supply/Product voltage - min (V)	230
Primary Supply/Product voltage - max (V)	240
Lamp power factor	0.92
Electrical protection	Class II
Control gear required	No
Control gear type	Electronic ballast
Control gear mounting	Remote
Dimmable	No
Dimming method	N/A
Drive current (mA)	700
Inrush Current (A)	19.4
Inrush Duration (µs)	250
Energy Efficiency Class (A->G) of contained light source	E
Nominal Frequency (Hz)	50/60Hz
Max. products per 10A C Breaker	21
Max. products per 13A C Breaker	28
Max. products per 16A C Breaker	35
Max. products per 20A C Breaker	45
Max. products per 10A B Breaker	13
Max. products per 13A B Breaker	17
Max. products per 16A B Breaker	21
Max. products per 20A B Breaker	27

Lifetime data

Lifespan L70 B50	100000
Lifespan L80 B20	100000
Lifespan L90 B10	54500

EXPOSPOT 90 ADJUSTABLE HE RA90 3000K MB WHITE

Item No: 2070036

Concord

Physical data

Housing colour	White
IP rating	IP20
IK rating	IK02
Nominal Product Width (mm)	150
Nominal Product Height (mm)	104
Nominal Product Diameter (mm)	150
Weight (kg)	0.77
Recessed Depth (mm)	104

Packaging

Product EAN number	5025768700363
Packaging single length / height (cm)	18.0
Packaging single width (cm)	18.0
Packaging single depth (cm)	16.0
DUN14 (inner)	05025768700363
Units per outer package	1
Packaging outer length / height (cm)	18.0
Packaging outer width (cm)	18.0
Packaging outer depth (cm)	16.0

Safety data

Glow Wire Test (°C)	850
---------------------	-----