

Lytespan Round Track X-Feed White 9017-st15/w

Item No: 2070339

Concord

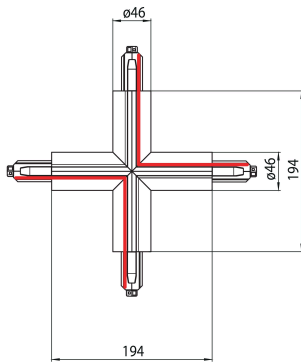


Lytespan Round Track accessory, X-feed connector. Polycarbonate body, copper alloy contacts. White.

Technical Assets

Dimensions (mm)

Photometrics



Lytespan Round Track X-Feed White 9017-st15/w

Item No: 2070339

Concord

General data

Product name	Lytespan Round Track X-Feed White 9017-st15/w
Technology	Non - Electrical Device
Accessory type	Electrical
Type of accessory	Coupler/connector X-shape
Housing	Aluminium, PC Polycarbonate
Mount	Track mounting
General application	Hospitality, Museums & Galleries, Office
ETIM Class	EC002556
Warranty	5 years

Electrical data

Primary Supply/Product voltage - min (V)	220
Primary Supply/Product voltage - max (V)	240
Connectable conductor cross section - Max (mm ²)	2.5

Physical data

Housing colour	White
Nominal Product Length (mm)	148
Nominal Product Width (mm)	148
Weight (kg)	1.5

Packaging

Product EAN number	5025768703395
Packaging single length / height (cm)	30.0
Packaging single width (cm)	30.0
Packaging single depth (cm)	12.0
DUN14 (inner)	05025768703395
Units per outer package	1
Packaging outer length / height (cm)	30.0
Packaging outer width (cm)	30.0
Packaging outer depth (cm)	12.0