

Colossal 600mm 830 Prism Dir+Hal White EM

Item No: 2071204

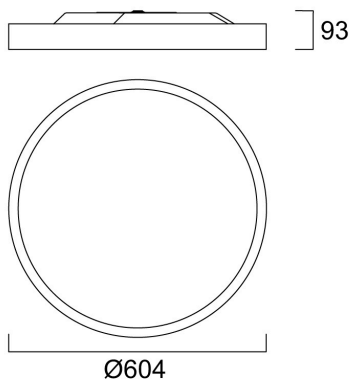
Concord



600mm diameter circular architectural luminaire, can be surface mounted or suspended. Powder coated aluminium housing (RAL9016) with PMMA prismatic diffuser. Direct/indirect (halo) light distribution, 3900lm luminous flux, 32.1W system power, 121lm/W luminaire efficacy. Constant current driver. 3 hours integrated emergency. Colour rendering index Ra >80, 3000K Warm White LED, chromaticity tolerance of 3-step MacAdam ellipse. IP40, IK03. 350mA drive current. UGR≤19. Electrical protection Class1, 220-240V. Reported lifetime 66k hours L90B10.

Technical Assets

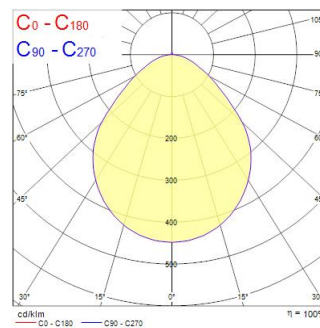
Dimensions (mm)



Photometrics

Distance [m]	Cone diameter [m]	Beam diameter [m]	Illuminance [lx]
0.5	1.07	0.70	5962
1.0	2.14	1.40	1491
1.5	3.22	2.10	777
2.0	4.29	2.80	487
2.5	5.36	3.50	300
3.0	6.43	4.20	184

Distance [m] Cone diameter [m] Illuminance [lx]
 — C0 - C180 (Half beam angle: 94.0°)



Colossal 600mm 830 Prism Dir+Hal White EM

Item No: 2071204

Concord

General data

Product name	Colossal 600mm 830 Prism Dir+Hal White EM
Technology	LED
Cap/Base	N/A
Housing	Aluminium
Mount	Suspended
Built in presence detector	NONE
General application	Hospitality, Office
Operating temperature range (°C)	10°C...+25°C
Virtual assistant compatibility	N/A
ETIM Class	EC002892
Warranty	5 years

Optical data

Fixture luminous flux (lm)	3900
Luminaire efficacy (lm/W)	121
Correlated colour temperature (k)	3000
Colour Code	830
Light colour	Warm White
CRI (Ra)	80
Colour Variation Initial (SDCM)	SDCM3
Distribution type	Symmetric
Glare control	< 19
Photobiological Risk Group	RG0

Electrical data

Emergency type	
Emergency duration (h)	3
Total power consumption (W)	32.1
Primary Supply/Product voltage - min (V)	198.0
Primary Supply/Product voltage - max (V)	264.0
Lamp power factor	0.95
THD (at 230 V, 50 Hz, full load, at 100% dimming level) ≤ xx.x %	20
Electrical protection	Class I
Control gear required	No
Control gear type	LED driver constant current
Dimmable	No
Dimming method	N/A
Drive current (mA)	350
Inrush Current (A)	22
Inrush Duration (µs)	250
Energy Efficiency Class (A->G) of contained light source	B
Nominal Frequency (Hz)	50/60Hz
LED Flickering Rate	Ultra low (5% or less)
Max. products per 10A C Breaker	28
Max. products per 13A C Breaker	36
Max. products per 16A C Breaker	45
Max. products per 20A C Breaker	56
Max. products per 10A B Breaker	17
Max. products per 13A B Breaker	22
Max. products per 16A B Breaker	27
Max. products per 20A B Breaker	34
Connectable conductor cross section - Max (mm ²)	2.5

Lifetime data

Lifespan L70 B50	170000
Lifespan L80 B20	145000
Lifespan L90 B10	66000

Colossal 600mm 830 Prism Dir+Hal White EM

Item No: 2071204

Concord

Physical data

Housing colour	RAL 9016 - Traffic white / Bezel
IP rating	IP40/20
IK rating	IK07
Diffuser finish	Prismatic
Diffuser material	PMMA Acrylic
Nominal Product Height (mm)	93
Nominal Product Diameter (mm)	604
Weight (kg)	9.3

Packaging

Product EAN number	5025768712045
Packaging single length / height (cm)	14.0
Packaging single width (cm)	68.0
Packaging single depth (cm)	68.0
DUN14 (inner)	05025768712045
Units per outer package	1
Packaging outer length / height (cm)	14.0
Packaging outer width (cm)	68.0
Packaging outer depth (cm)	68.0

Safety data

Glow Wire Test (°C)	650
Optimal operating condition (°C)	10-25